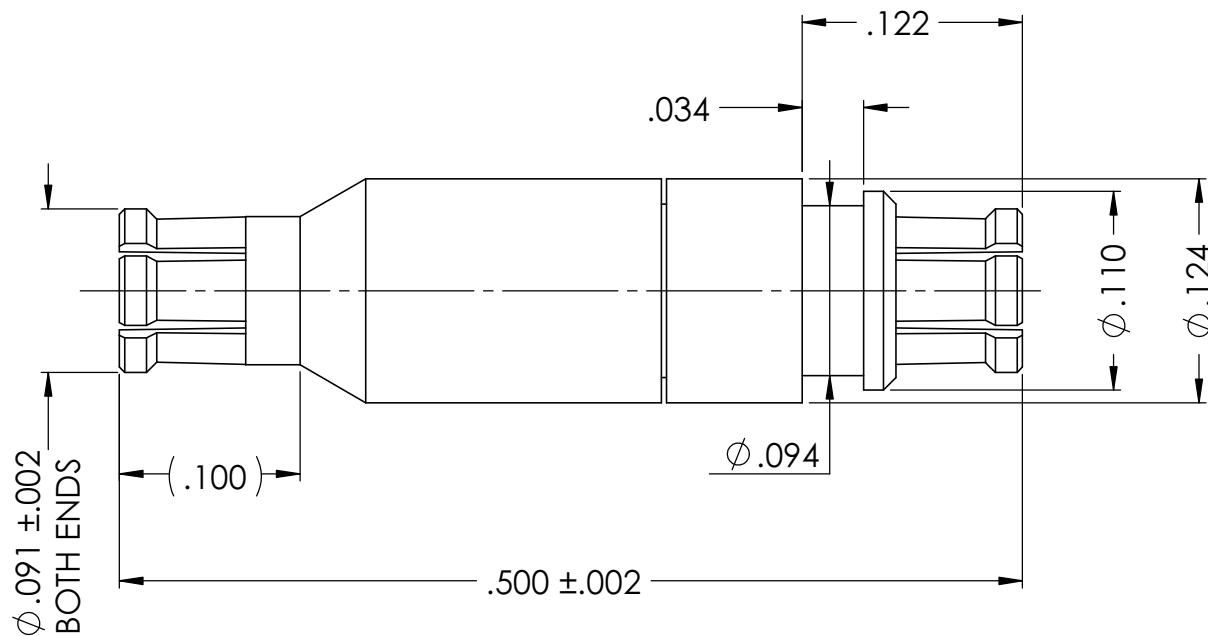
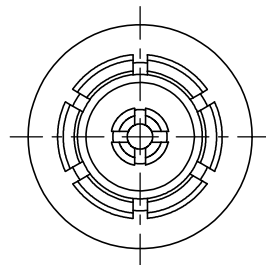
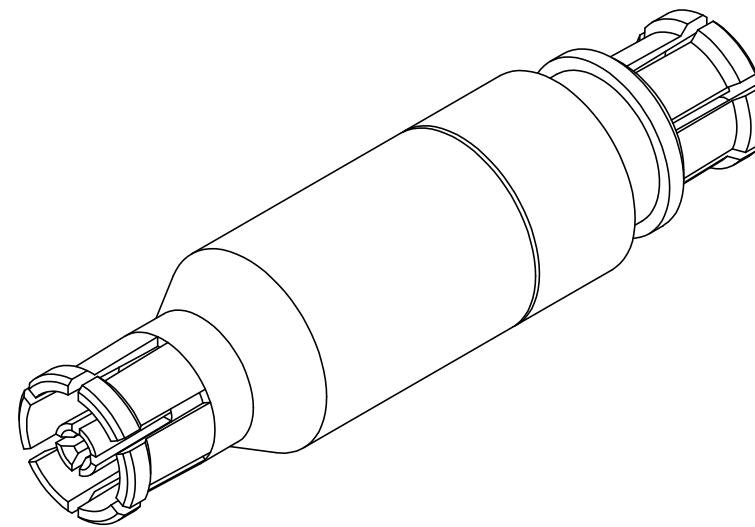




8828000G001-028



MECHANICAL SPECIFICATIONS

DURABILITY	500 MIN
CAPTIVATION - CONTACT	2 LBS MIN

ELECTRICAL SPECIFICATIONS

IMPEDANCE	50 ± 2 OHMS
WORKING VOLTAGE @ SEA LEVEL	335 Vrms MIN
DWV @ SEA LEVEL	500 Vrms MIN
INSULATION RESIST.	5,000 MΩ

ENVIRONMENTAL SPECIFICATIONS

SHOCK	MIL-STD-202, METH. 213 COND I
VIBRATION	MIL-STD-202, METH. 204 COND D
ALTITUDE	MIL-STD-202, METH. 105 COND C
THERMAL SHOCK	MIL-STD-202, METH. 107 COND B
TEMP RANGE	-65° TO +125° C

NOTES:

- 1. ASSEMBLED CONNECTOR INTERFACE IS DESIGNED IN ACCORDANCE WITH MIL-STD-348.

DESCRIPTION	MATERIAL	FINISH
BODY	BERYLLIUM COPPER PER ASTM B196, C17300, TEMPER TD04	GOLD PLATE PER ASTM B488
CONTACT	BERYLLIUM COPPER PER ASTM B196, C17300, TEMPER TD04	GOLD PLATE PER ASTM B488
INSULATOR	TEFLON PER ASTM D1710, TYPE 1, GRADE 1, CLASS A.	N/A

Table 1

ROBAT CONN1357

UNLESS OTHERWISE SPECIFIED:		NAME	DATE	DELTA ELECTRONICS MFG CORP. BEVERLY, MA 01915 www.deltarf.com / Ph: 978-927-1060 / Fax: 978-922-6430 TITLE: SMPM STRAIGHT ADAPTER FEMALE TO FEMALE .500 LONG	
DIMENSIONS ARE IN INCHES TOLERANCES: FRACTIONAL ± 1/64 ANGULAR: MACH ± 1° BEND ± 1° TWO PLACE DECIMAL ±.01 THREE PLACE DECIMAL ±.005 SURFACE FINISH = 63 MAX. CORNER BREAKS = .004		DRAWN	ADK		10/2/2015
THIRD ANGLE PROJECTION		CHECKED	BJM		10/2/2015
MATERIAL SEE TABLE		ENG APPR.	BJM		10/2/2015
FINISH SEE TABLE		COMMENTS:		SIZE B	
SCALE:		CODE ID - 00795		DWG. NO. 8828000G001-028	
FILE NAME: 8828000G001-028T		WEIGHT: 0.42 g		REV -	
		SHEET 1 OF 1			

PROPRIETARY AND CONFIDENTIAL
 THE INFORMATION CONTAINED IN THIS DRAWING IS THE SOLE PROPERTY OF DELTA ELECTRONICS MFG CORP. ANY REPRODUCTION IN PART OR AS A WHOLE WITHOUT THE WRITTEN PERMISSION OF DELTA ELECTRONICS MFG CORP. IS PROHIBITED.