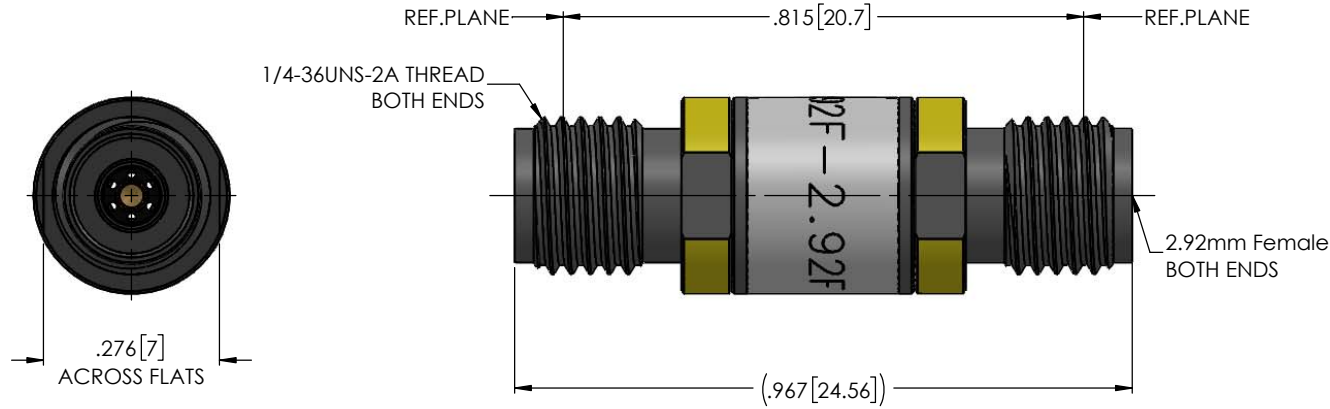


ALL DIMENSIONS IN BRACKETS ARE IN MM AND ARE FOR REFERENCE PURPOSE ONLY

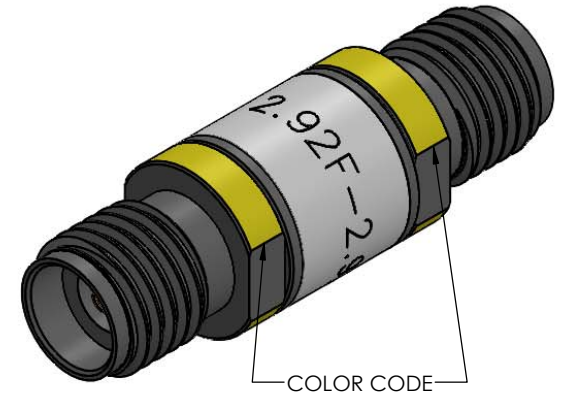
7928000K001-803-C



ELECTRICAL SPECIFICATIONS	
FREQUENCY RANGE	DC- 40GHz
VSWR	1.25 Max @ 40GHz
INSERTION LOSS	0.38dB Max@ 40GHz
WORKING VOLTAGE@SEA LEVEL	250 Vrms
DWV@SEA LEVEL	750 Vrms
INSULATION RESISTANCE	5000MΩ
MECHANICAL SPECIFICATIONS	
DURABILITY	500 CYCLES MIN
COUPLING NUT TORQUE - RECOMMENDED	7-10 IN.LBS[0.8 -1.1N.m]
CONTACT CAPTIVATION	≥4.5 LBS [20N]
ENVIRONMENTAL SPECIFICATIONS	
TEMP RANGE	-55° TO +125° C

NOTES:

- ASSEMBLED CONNECTOR INTERFACE IS DESIGNED IN ACCORDANCE WITH IEC61169-35(2.92mm).



INSULATOR - HIGH FREQUENCY	NORYL EN265, POLYPHENYLENE OXIDE (PPO), PER ASTM D-4349 PPE220B50541 F13 G1106	N/A
BUSHING - HIGH FREQUENCY	BRASS PER ASTM B16, C36000 ALLOY, TEMPER H02	GOLD PLATE PER ASTM B488
CONTACT - HIGH FREQUENCY	BERYLLIUM COPPER PER ASTM B196, C17300, TEMPER TD04	GOLD PLATE PER ASTM B488
BODY - HIGH FREQUENCY	CORROSION RESISTANT STEEL PER ASTM 582, S30300, COND. A	PASSIVATE PER SAE-AMS-2700
DESCRIPTION	MATERIAL	FINISH

Table 1

PROPRIETARY AND CONFIDENTIAL  
 THE INFORMATION CONTAINED IN THIS DRAWING IS THE SOLE PROPERTY OF DELTA ELECTRONICS (NANJING) CO.LTD. ANY REPRODUCTION IN PART OR AS A WHOLE WITHOUT THE WRITTEN PERMISSION OF DELTA ELECTRONICS (NANJING) CO.LTD. IS PROHIBITED.  
 FILE NAME: 7928000K001-8031-C

UNLESS OTHERWISE SPECIFIED:				NAME		DATE		DELTA MICROWAVE ELECTRONICS (NANJING) CO., LTD	
DIMENSIONS ARE IN INCHES TOLERANCES: FRACTIONAL 1/64 ANGULAR: MACH 1° BEND 1° TWO PLACE DECIMAL .01 THREE PLACE DECIMAL .005 MAX CORNER BREAK = .005 MAX. T.T.R. = .004 SURFACE FINISH = A3 or BETTER ☉ DENOTES CRITICAL DIMENSION				DRAWN	VINCENT	8/18/2020	www.DeltaRF.com / Ph: 025-84195408/ Fax: 025-84195407		
THIRD ANGLE PROJECTION				CHECKED	JAMES	8/18/2020	TITLE: 2.92mm FEMALE To 2.92mm FEMALE STRAIGHT ADAPTER		
MATERIAL				ENG APPR.	JAMES	8/18/2020	SIZE DWG. NO. REV		
FINISH				COMMENTS:			B 7928000K001-803-C -		
SCALE:							CODE ID - 00795 WEIGHT: 5.36g SHEET 1 OF 1		