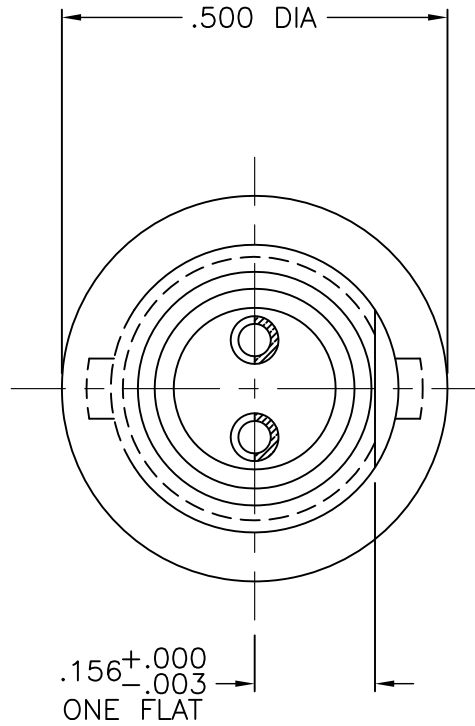
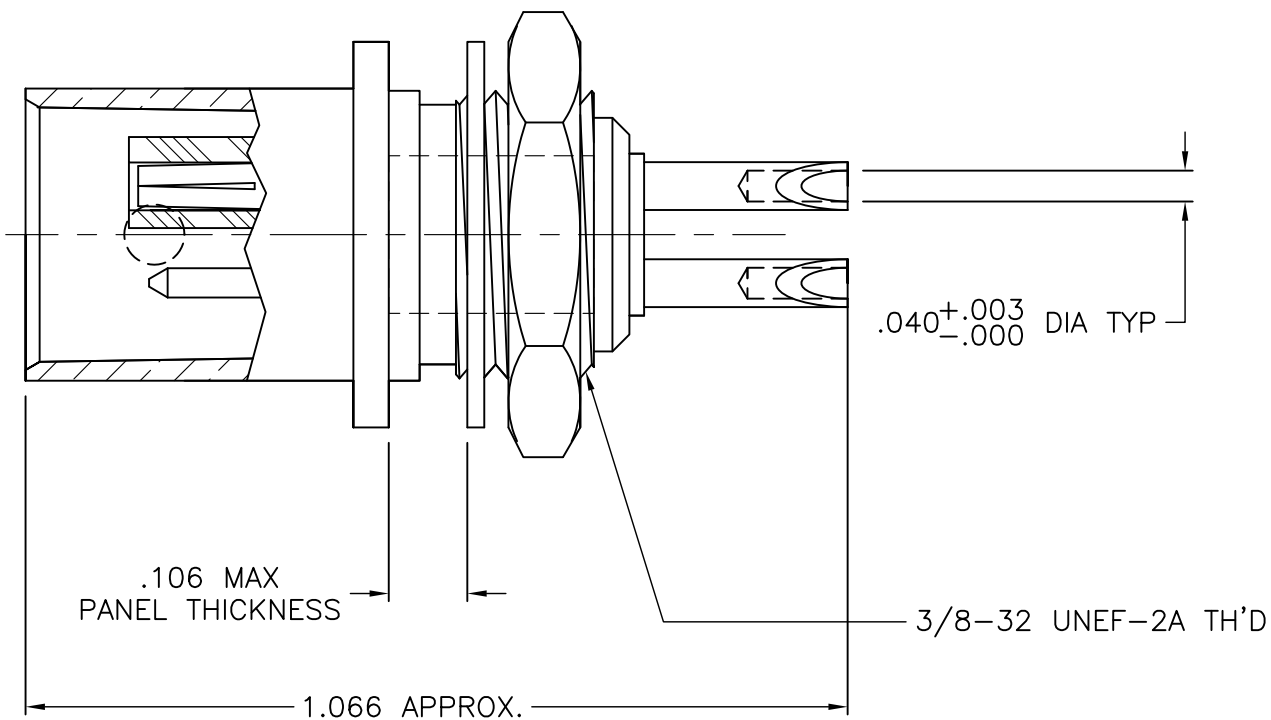




6120-000-N651



VIEW SHOWN WITH HEX NUT AND LOCKWASHER REMOVED

**NOTES:**

1. ASSEMBLED CONNECTOR INTERFACE IS DESIGNED IN ACCORDANCE WITH MIL-STD-348.
2. MATERIAL: CONTACT (F) - BERYLLIUM COPPER PER ASTM B196.  
INSULATOR - TEFLON PER ASTM D1710  
LOCKWASHER - SPRING STEEL  
ALL OTHER METAL PARTS - BRASS PER ASTM B16
3. FINISHES: CONTACTS - GOLD PLATE PER MIL-G-45204  
ALL OTHER METAL PARTS - NICKEL PLATE PER QQ-N-290

UNLESS OTHERWISE SPECIFIED: TOLERANCES: 3 PLACES = ±.005, 2 PLACES = ±.02, ANGLES = ±1/2', SURFACE FINISH = 63

-	OUTLINE	12/28/09
ALT.	REVISIONS	DATE

DELTA ELECTRONICS MFG. CORP. Beverly, MA 01915					
TITLE: "BNC" TWINAX BULKHEAD MOUNT JACK RECEPTACLE - SOLDER POT CONTACTS					
Drawn by MR	Scale 4/1	Ckd. by BJM	Engr Appd MR	FILE NAME: 6120000N651-000T	
12/28/09					

THESE DRAWINGS AND SPECIFICATIONS ARE THE PROPERTY OF DELTA ELECTRONICS MFG CORP. AND SHALL NOT BE REPRODUCED, OR COPIED OR USED AS THE BASIS FOR THE MANUFACTURE OR SALE OF APPARATUS OR DEVICES WITHOUT THEIR EXPRESS WRITTEN CONSENT.

CODE IDENT. -00795 6120-000-N651