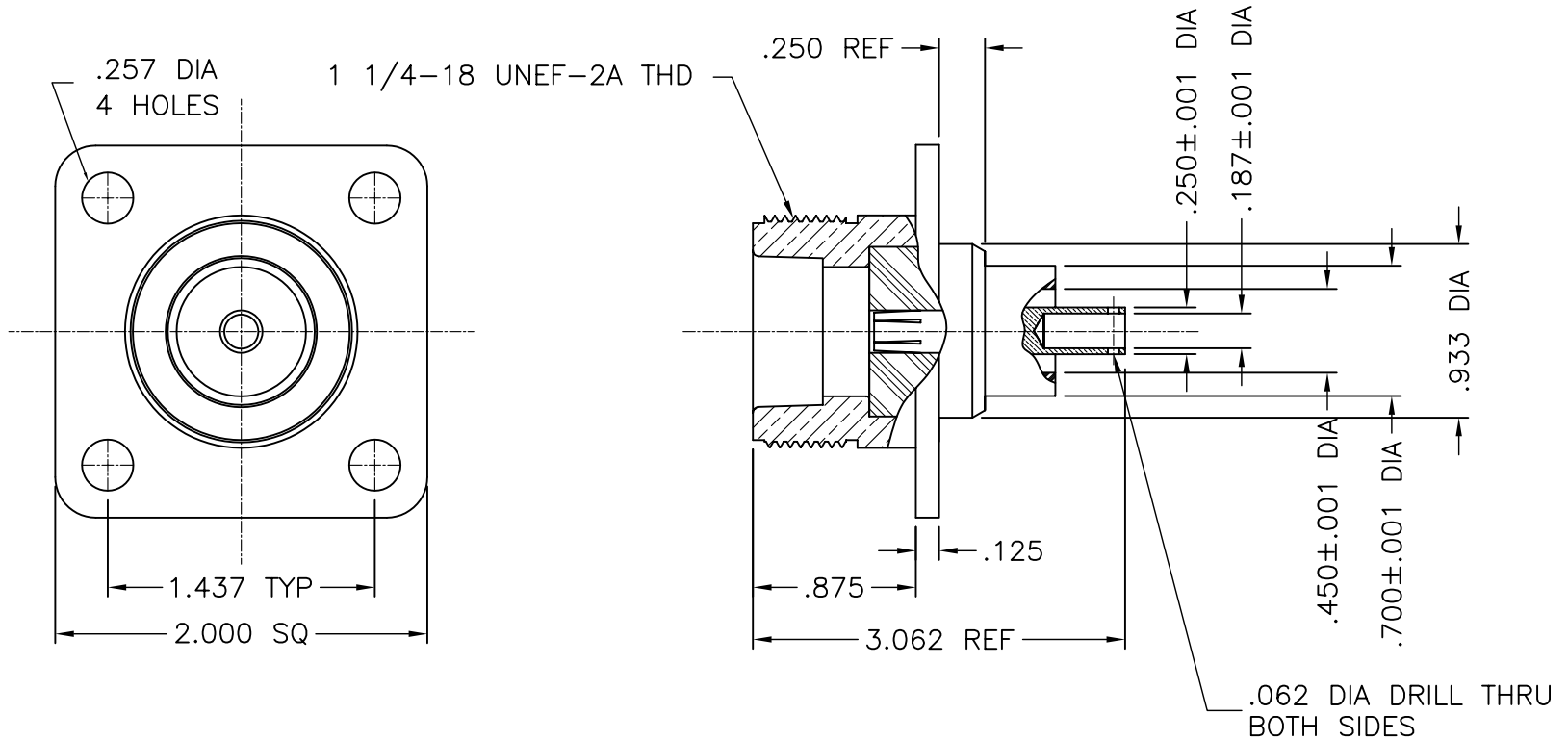




3413-000-N459-2



NOTES:

- ASSEMBLED CONNECTOR INTERFACE IS DESIGNED IN ACCORDANCE WITH MIL-STD-348.
- MATERIAL: BODY - BRASS PER ASTM B16
INSULATOR & PIN - TEFLON PER ASTM D1710
CONTACT - BERYLLIUM COPPER PER ASTM B196.
- FINISHES: BODY - NICKEL PLATE PER QQ-N-290
CONTACT - SILVER PLATE PER QQ-S-365

UG-352/U

DELTA ELECTRONICS MFG. CORP. Beverly, MA 01915

TITLE: SERIES LC JACK PANEL RECEPTACLE

UNLESS OTHERWISE SPECIFIED: TOLERANCES: 3 PLACES = $\pm .005$, 2 PLACES = $\pm .02$, ANGLES = $\pm 1/2^\circ$, SURFACE FINISH = 63	-	OUTLINE	1/20/05	Drawn by BJM 1/20/05	Scale 1/1	Ckd. by MR	Engr Appd MR	FILE NAME: 3413000N459-002T
	ALT.	REVISIONS	DATE					

THESE DRAWINGS AND SPECIFICATIONS ARE THE PROPERTY OF DELTA ELECTRONICS MFG CORP. AND SHALL NOT BE REPRODUCED, OR COPIED OR USED AS THE BASIS FOR THE MANUFACTURE OR SALE OF APPARATUS OR DEVICES WITHOUT THEIR EXPRESS WRITTEN CONSENT.

CODE IDENT.-00795

3413-000-N459-2