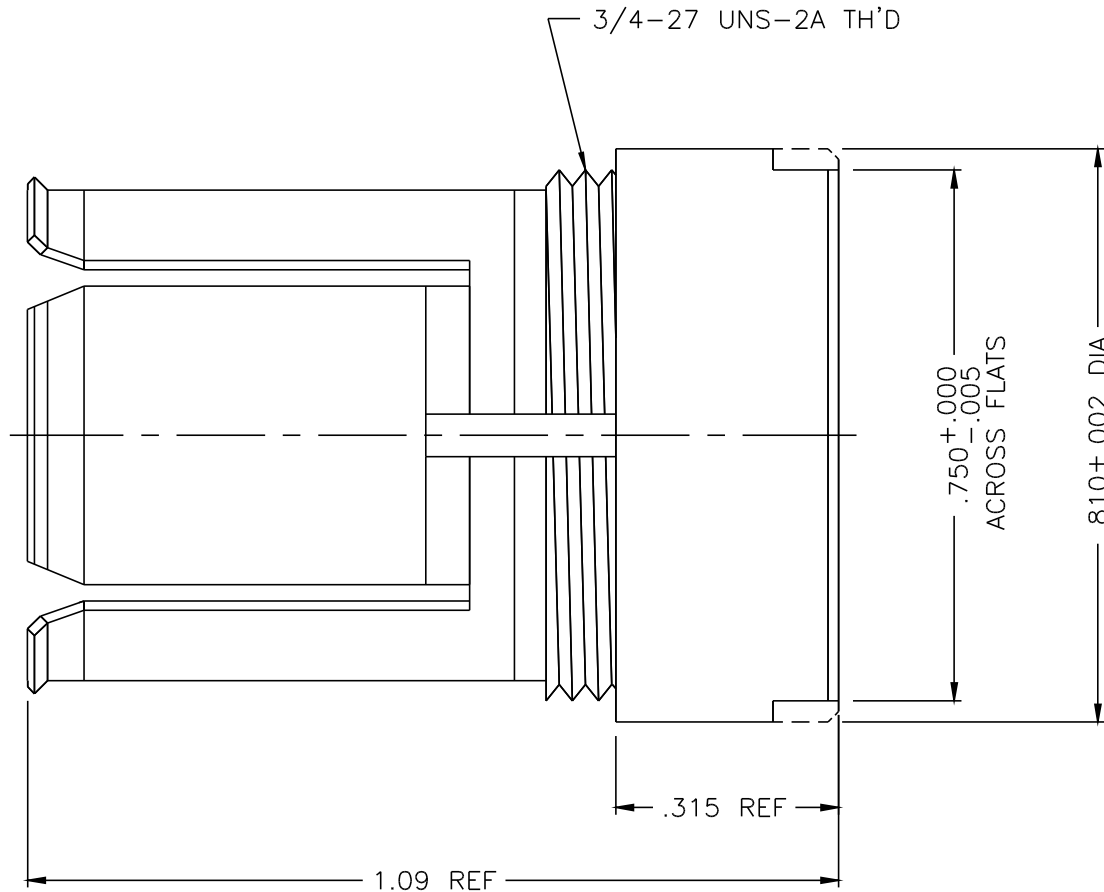


2801-000-N000-1



NOTES:

- CONNECTOR IS SHIPPED UNASSEMBLED
- MATERIAL: BODY & COUPLING NUT- BRASS PER ASTM B16
 OUTER CONTACT - BRASS PER ASTM B16.
 INNER CONTACT - BERYLLIUM COPPER PER ASTM B196.
 INSULATOR - TEFLON PER ASTM D1710
 RETAINING RING - PHOSPHOR BRONZE PER QQ-B-750
- FINISHES: ALL METAL PARTS NICKEL - NICKEL PLATE PER QQ-N-290

DELTA ELECTRONICS MFG. CORP. Beverly, MA 01915

TITLE: GR-874 INTERFACE KIT
NON LOCKING

Drawn by MJA 11/12/97	Scale 4/1	Ckd. by	Engr Appd	FILE NAME: 2801000N000-001T
-----------------------------	--------------	---------	-----------	--------------------------------

UNLESS OTHERWISE SPECIFIED: TOLERANCES: 3 PLACES = ±.005, 2 PLACES = ±.02, ANGLES = ±1/2°

ALT.	REVISIONS	DATE
-	OUTLINE	11/12/97

THESE DRAWINGS AND SPECIFICATIONS ARE THE PROPERTY OF DELTA ELECTRONICS MFG CORP. AND SHALL NOT BE REPRODUCED, OR COPIED OR USED AS THE BASIS FOR THE MANUFACTURE OR SALE OF APPARATUS OR DEVICES WITHOUT THEIR EXPRESS WRITTEN CONSENT.

CODE IDENT.-00795

2801-000-N000-1