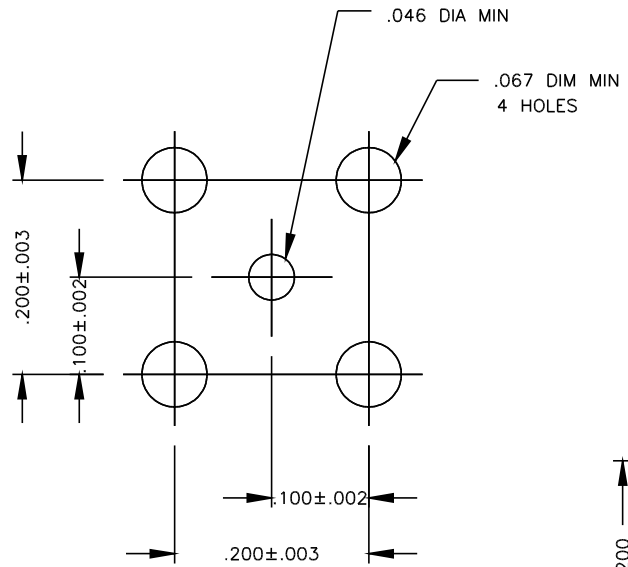
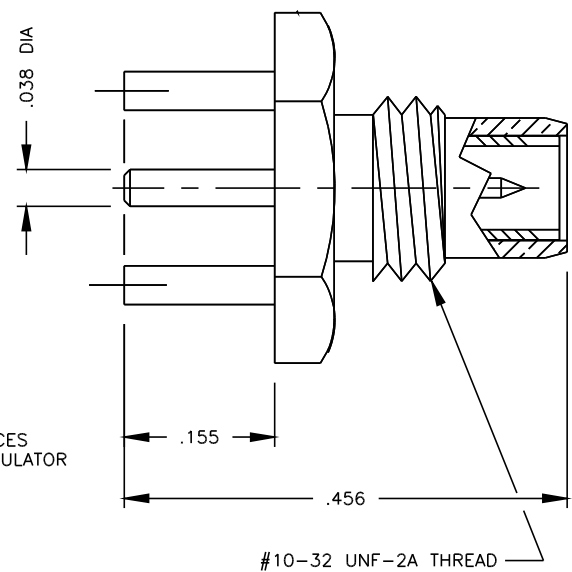
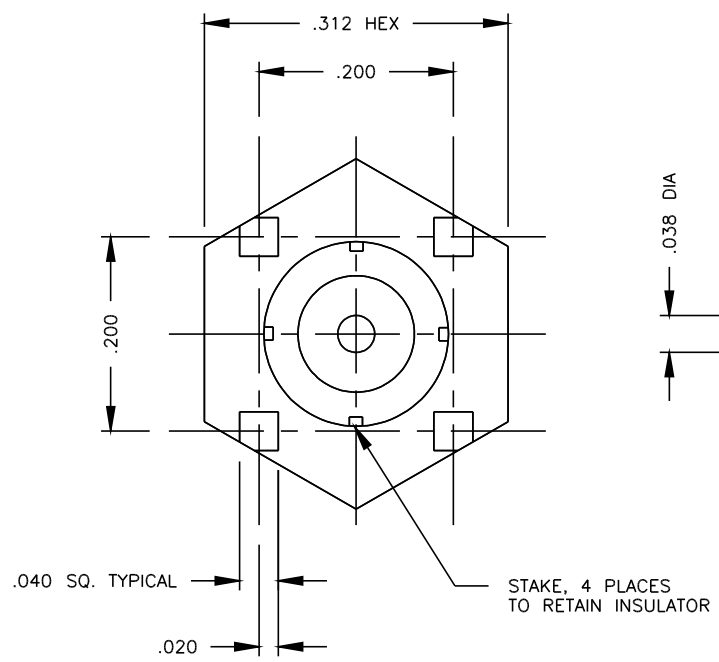


2568-000-G001



RECOMMENDED MOUNTING CONFIGURATION



STAKE, 4 PLACES TO RETAIN INSULATOR

NOTES:

1. ASSEMBLED CONNECTOR INTERFACE IN ACCORDANCE WITH MIL-STD-348.

LB./M	FT./M	Stock Size
TOLERANCES: UNLESS OTHERWISE SPECIFIED; DECIMALS = ±.005, FRACTIONS = ±1/64, ANGLES = ±1/2° REMOVE ALL BURRS AND SHARP EDGES.		
THESE DRAWINGS AND SPECIFICATIONS ARE THE PROPERTY OF DELTA ELECTRONICS MFG. CORP. AND SHALL NOT BE REPRODUCED, OR COPIED, OR USED AS THE BASIS FOR THE MANUFACTURE OR SALE OF APPARATUS OR DEVICES WITHOUT THEIR EXPRESS WRITTEN CONSENT.		

OUTLINE	9/16/94	ENGR APPD	MFG APPD
ALT.	REVISIONS	DATE	FILE NAME: 2568000G001-000T PLT @ 4/1

DELTA ELECTRONICS MFG. CORP. Beverly, MA 01915			
TITLE: "SMC" (SCREW ON) PRINTED CIRCUIT MOUNTED RECEPTACLE			
MATERIAL: BRASS			
FINISH: BODY GOLD		CONTACT GOLD	
Drawn by nct	Scale 8/1	Ckd. by	Mfg. Appd. Engr. Appd.
9/15-94			
CODE IDENT-00795		2568-000-G001	