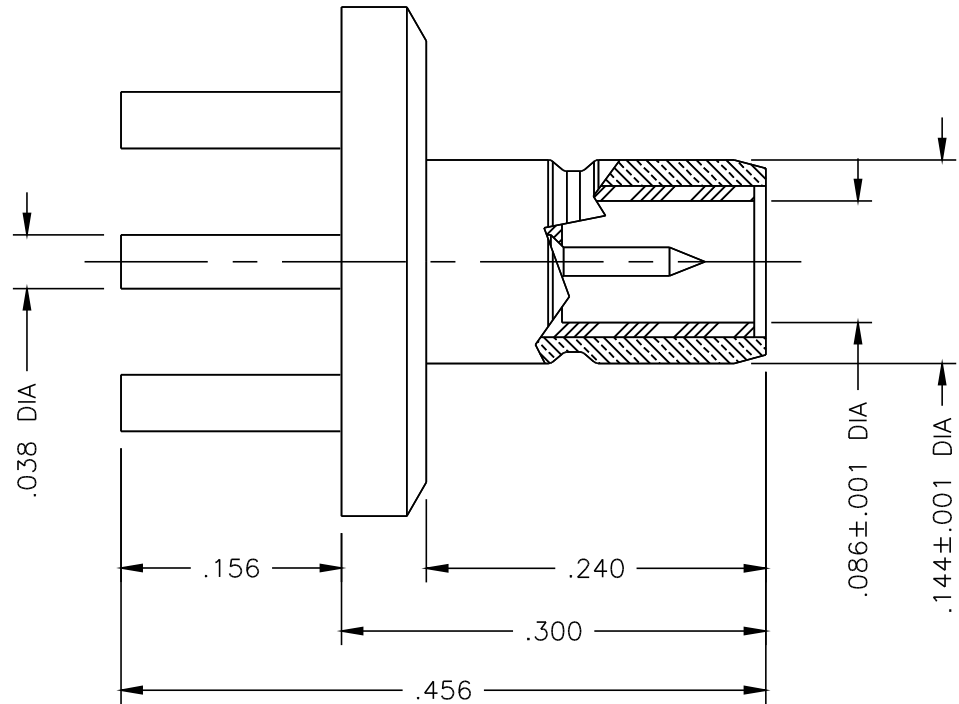
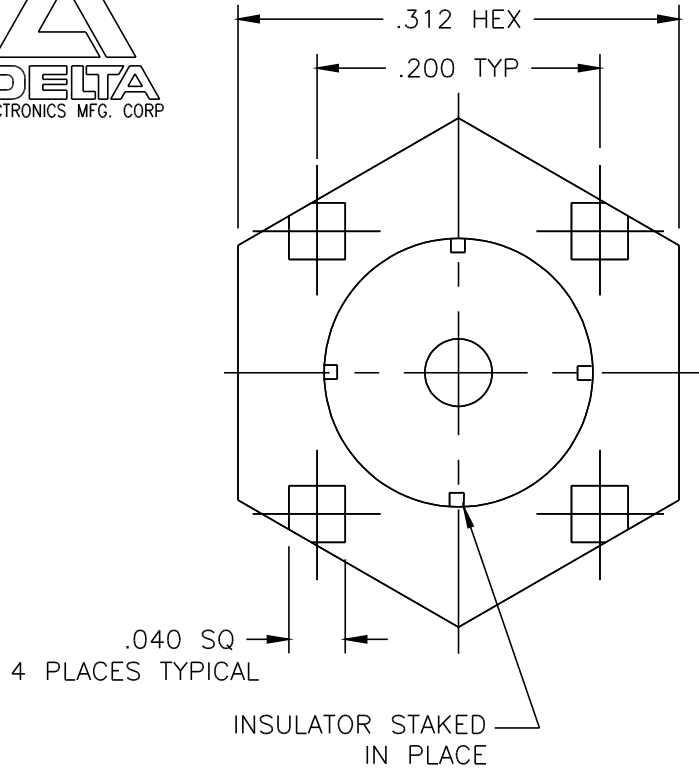




2468-000-G001



NOTES:

1. ASSEMBLED CONNECTOR INTERFACE IS DESIGNED IN ACCORDANCE WITH MIL-STD-348.
2. MATERIAL: BODY & CONTACT - BRASS PER ASTM B16  
INSULATOR - TEFLON PER ASTM D1710
3. FINISHES: BODY & CONTACT - GOLD PLATE PER MIL-G-45204.

UNLESS OTHERWISE SPECIFIED: TOLERANCES: 3 PLACES = ±.005, 2 PLACES = ±.02, ANGLES = ±1/2°

ALT.	REVISIONS	DATE
A	REDRAWN	8/27/99
-	OUTLINE	2/5/92

DELTA ELECTRONICS MFG. CORP. Beverly, MA 01915					
TITLE: 'SMB' SNAP-ON PRINTED CIRCUIT BOARD MOUNTED RECEPTACLE					
Drawn by BJM	Scale 8/1	Ckd. by	Engr Appd	FILE NAME: 2468000G001-000T	
8/27/99					

THESE DRAWINGS AND SPECIFICATIONS ARE THE PROPERTY OF DELTA ELECTRONICS MFG CORP. AND SHALL NOT BE REPRODUCED, OR COPIED OR USED AS THE BASIS FOR THE MANUFACTURE OR SALE OF APPARATUS OR DEVICES WITHOUT THEIR EXPRESS WRITTEN CONSENT.

CODE IDENT.-00795

2468-000-G001