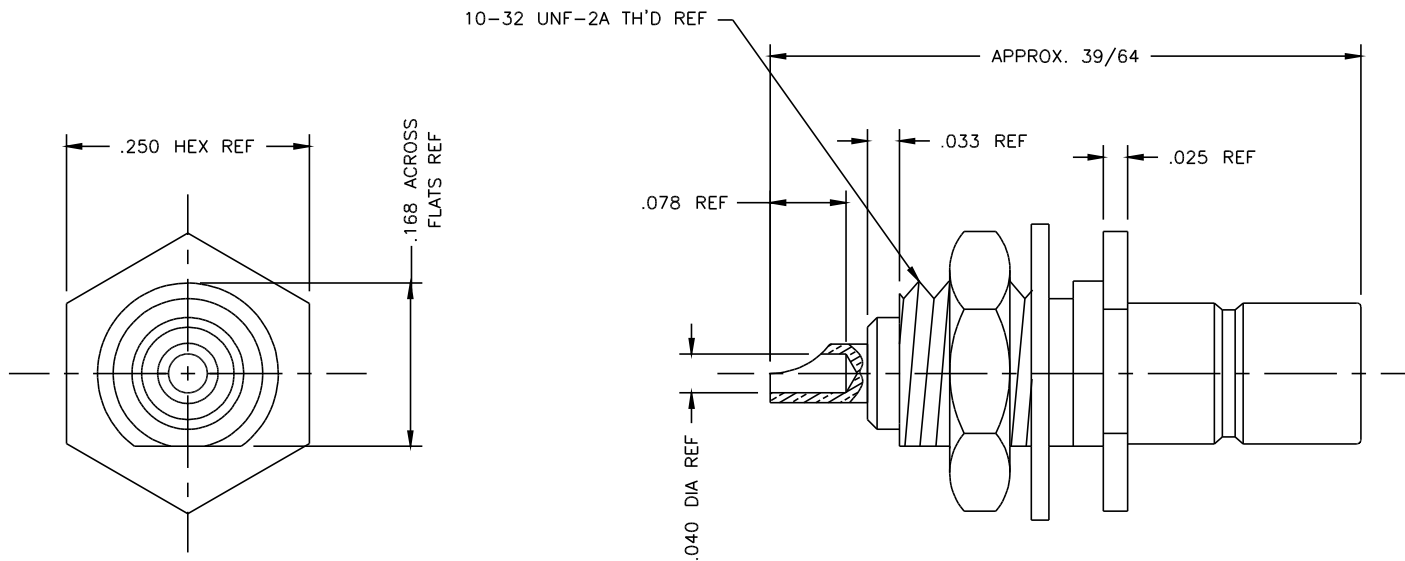


2420-000-G681



VIEW SHOWN WITH LOCKWASHER
AND HEX NUT REMOVED

RADIALL R114553
COMMERCIAL VERSION OF M39012/71-0002

NOTES:

1. INTERFACE CONFORMS TO MIL-STD-348.
2. MATERIALS AND FINISHES:
BODY, NUT, CONTACT: BRASS, GOLD-PLATED
LOCKWASHER: PHOSPHOR BRONZE, GOLD-PLATED
INSULATOR: TEFLON PTFE

DELTA ELECTRONICS MFG. CORP. Beverly, MA 01915					
TITLE: SMB (F) BULKHEAD MOUNT RECEPTACLE SOLDERPOT TERMINAL					
MATERIAL: SEE NOTE 2					
FINISH: SEE NOTE 2					
Drawn by	Scale	Ckd. by	Mfg. Appd.	Engr. Appd.	
MCD	8/1				
10/20/94					
CODE IDENT-00795		2420-000-G681			

LB./M	FT./M	Stock Size				
TOLERANCES: UNLESS OTHERWISE SPECIFIED; DECIMALS = ±.005, FRACTIONS = ±1/64, ANGLES = ±1/2° REMOVE ALL BURRS AND SHARP EDGES.						
-	OUTLINE		10/20/94	ENGR APPD	MFG APPD	
THESE DRAWINGS AND SPECIFICATIONS ARE THE PROPERTY OF DELTA ELECTRONICS MFG. CORP. AND SHALL NOT BE REPRODUCED, OR COPIED, OR USED AS THE BASIS FOR THE MANUFACTURE OR SALE OF APPARATUS OR DEVICES WITHOUT THEIR EXPRESS WRITTEN CONSENT.						
FILE NAME: 2420000G681-000T PLT @ 8/1						