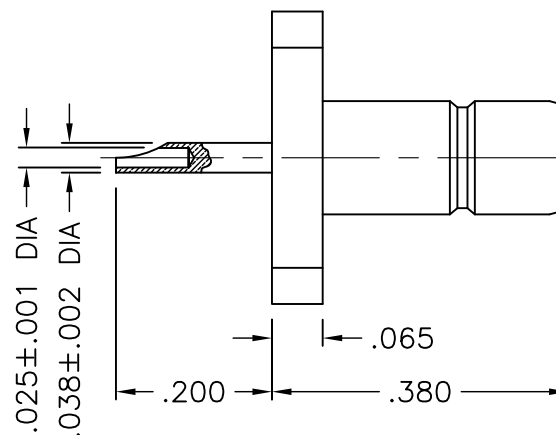
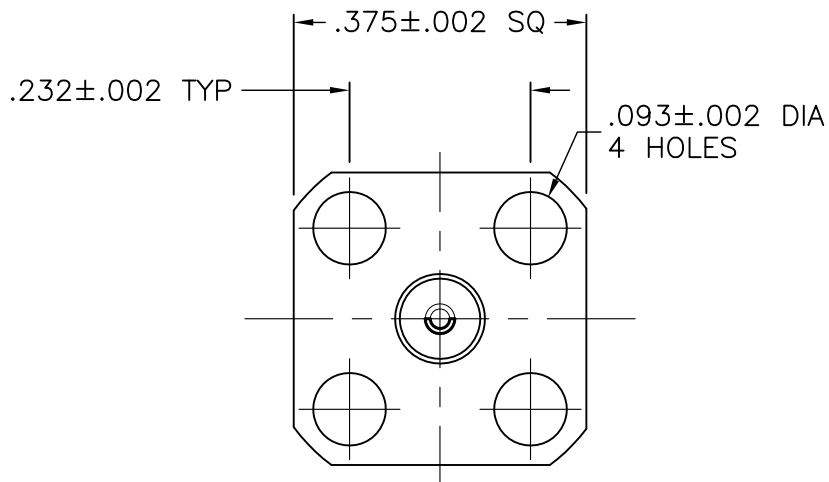




2413-000-N911



**NOTES:**

1. ASSEMBLED CONNECTOR INTERFACE IS DESIGNED IN ACCORDANCE WITH MIL-STD-348.
2. MATERIAL: BODY - BRASS PER ASTM B16  
INSULATOR - TEFLON PER ASTM D1710  
CONTACT - BERYLLIUM COPPER PER ASTM B196.
3. FINISHES: BODY - NICKEL PLATE PER QQ-N-290  
CONTACT - GOLD PLATE PER MIL-G-45204

UNLESS OTHERWISE SPECIFIED: TOLERANCES: 3 PLACES = ±.005, 2 PLACES = ±.02, ANGLES = ±1/2°

-	OUTLINE	8/24/09
ALT.	REVISIONS	DATE

DELTA ELECTRONICS MFG. CORP. Beverly, MA 01915				
TITLE: 'SMB' PANEL MOUNT JACK RECEPTACLE - .375 FLANGE W/SOLDER POT CONTACT				
Drawn by BJM	Scale 4/1	Ckd. by MR	Engr Appd MCD	FILE NAME: 2413000N911-000T
8/24/09				

THESE DRAWINGS AND SPECIFICATIONS ARE THE PROPERTY OF DELTA ELECTRONICS MFG CORP. AND SHALL NOT BE REPRODUCED, OR COPIED OR USED AS THE BASIS FOR THE MANUFACTURE OR SALE OF APPARATUS OR DEVICES WITHOUT THEIR EXPRESS WRITTEN CONSENT.

CODE IDENT. -00795

2413-000-N911