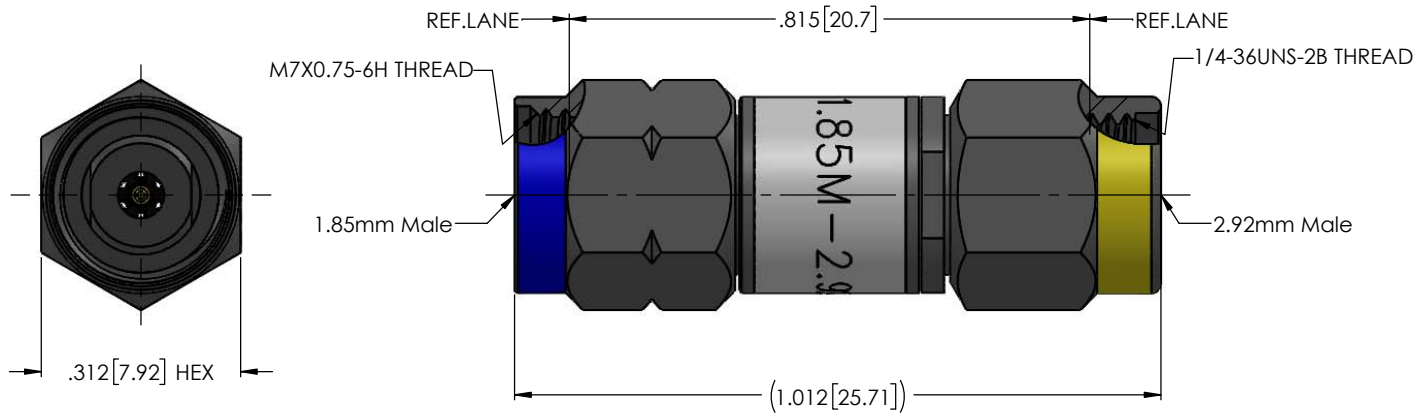




ALL DIMENSIONS IN BRACKETS ARE IN MM AND ARE FOR REFERENCE PURPOSE ONLY

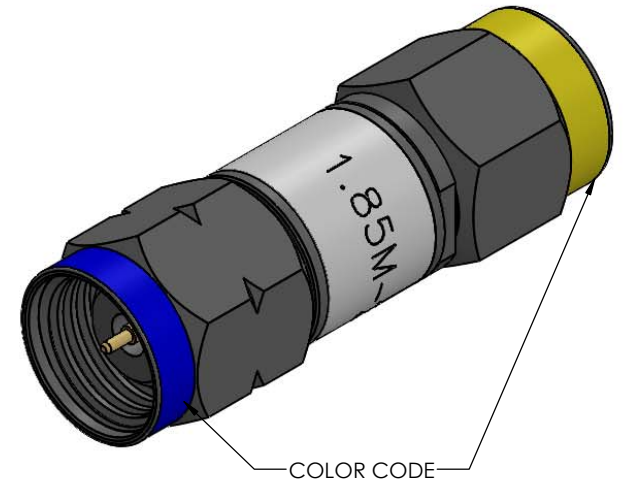
2227000K001-815-C



ELECTRICAL SPECIFICATIONS	
FREQUENCY RANGE	DC- 40GHz
VSWR	1.25 Max @ 40GHz
INSERTION LOSS	0.38dB Max@ 40GHz
WORKING VOLTAGE@SEA LEVEL	150 Vrms
DWV@SEA LEVEL	500 Vrms
INSULATION RESISTANCE	5000MΩ
MECHANICAL SPECIFICATIONS	
DURABILITY	500 CYCLES MIN
COUPLING NUT TORQUE - RECOMMENDED	7-10 IN.LBS[0.8 -1.1N.m]
CONTACT CAPTIVATION	≥4.5 LBS [20N]
ENVIRONMENTAL SPECIFICATIONS	
TEMP RANGE	-55° TO +125° C

NOTES:

- ASSEMBLED CONNECTOR INTERFACE IS DESIGNED IN ACCORDANCE WITH IEC61169-32(1.85mm) & IEC61169-35(2.92mm).



DESCRIPTION	MATERIAL	FINISH
INSULATOR - HIGH FREQUENCY	NORYL EN265, POLYPHENYLENE OXIDE (PPO), PER ASTM D-4349 PPE220B50541 F13 G1106	N/A
BUSHING - HIGH FREQUENCY	BRASS PER ASTM B16, C36000 ALLOY, TEMPER H02	GOLD PLATE PER ASTM B488
CONTACT - HIGH FREQUENCY	BERYLLIUM COPPER PER ASTM B196, C17300, TEMPER TD04	GOLD PLATE PER ASTM B488
COUPLING NUT	CORROSION RESISTANT STEEL PER ASTM 582, S30300, COND. A	PASSIVATE PER SAE-AMS-2700
LOCKING RING	BERYLLIUM COPPER PER ASTM B196, C17300, TEMPER TD04	N/A
BODY - HIGH FREQUENCY	CORROSION RESISTANT STEEL PER ASTM 582, S30300, COND. A	PASSIVATE PER SAE-AMS-2700

Table 1

**PROPRIETARY AND CONFIDENTIAL**  
 THE INFORMATION CONTAINED IN THIS DRAWING IS THE SOLE PROPERTY OF DELTA ELECTRONICS (NANJING) CO.LTD. ANY REPRODUCTION IN PART OR AS A WHOLE WITHOUT THE WRITTEN PERMISSION OF DELTA ELECTRONICS (NANJING) CO.LTD. IS PROHIBITED.  
 FILE NAME: 2227000K001-815T-C

UNLESS OTHERWISE SPECIFIED:			
DIMENSIONS ARE IN INCHES			
TOLERANCES:			
FRACTIONAL 1/64			
ANGULAR: MACH 1° BBND 1°			
TWO PLACE DECIMAL .01			
THREE PLACE DECIMAL .005			
MAX. CORNER BREAK = .005			
MAX. T.T.R. = .004			
SURFACE FINISH = 63 or BETTER			
☉ DENOTES CRITICAL DIMENSION			
THIRD ANGLE PROJECTION			
MATERIAL	SEE TABLE		
FINISH	SEE TABLE		
SCALE:			
NAME	VINCENT	DATE	8/12/2020
CHECKED	JAMES	DATE	8/12/2020
ENG APPR.	JAMES	DATE	8/12/2020
COMMENTS:			
DELTA MICROWAVE ELECTRONICS (NANJING) CO., LTD			
www.DeltaRF.com / Ph: 025-84195408/ Fax: 025-84195407			
TITLE: 2.92mm MALE To 1.85mm MALE STRAIGHT ADAPTER			
SIZE	DWG. NO.	REV	
<b>B</b>	2227000K001-815-C	-	
CODE ID - 00795	WEIGHT: 7.13g	SHEET 1 OF 1	