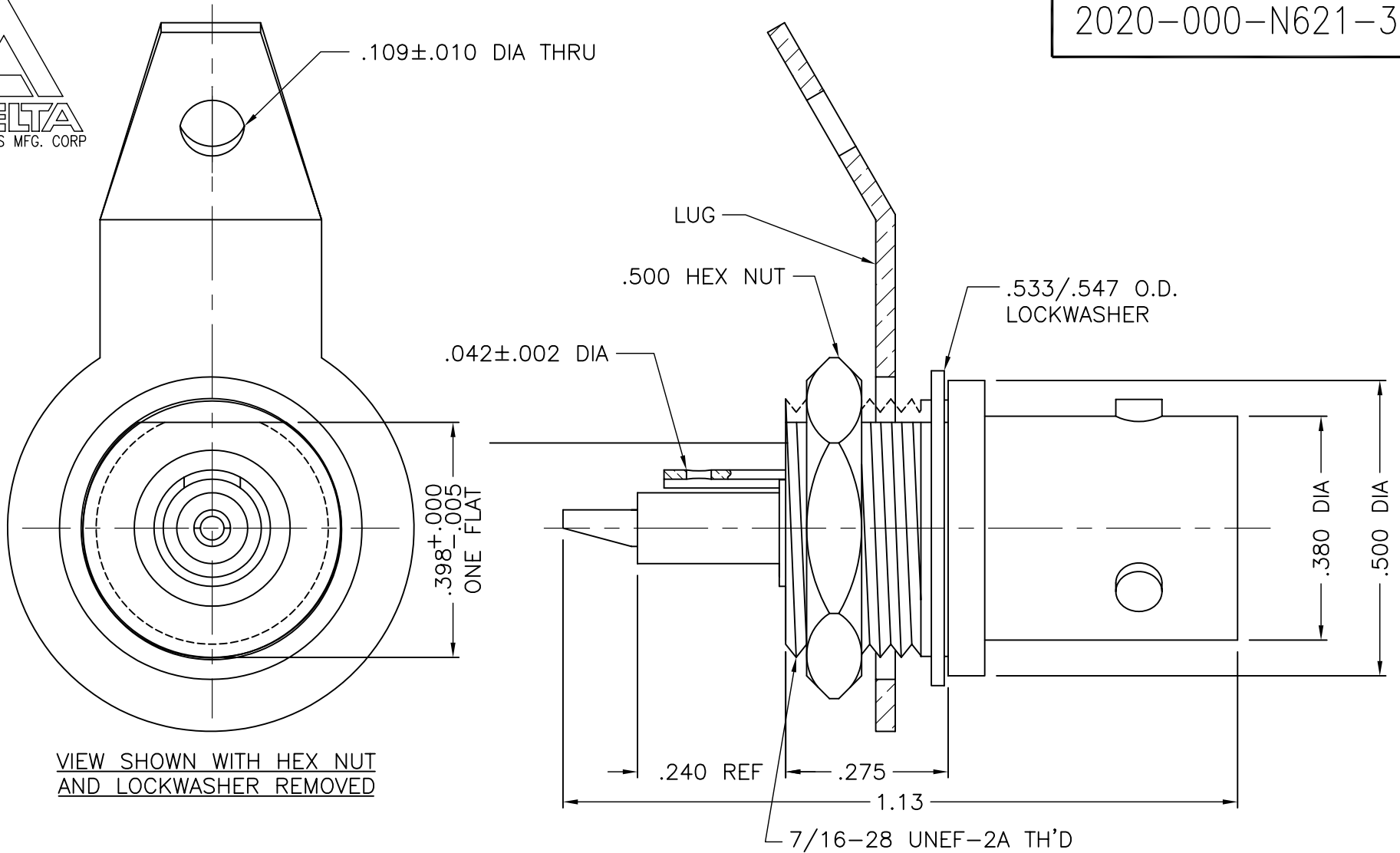




2020-000-N621-3



VIEW SHOWN WITH HEX NUT AND LOCKWASHER REMOVED

NOTES:

- MATERIAL: CONTACT - BERYLLIUM COPPER PER ASTM B196  
LOCKWASHER - SPRING STEEL  
INSULATORS - TEFLON PER ASTM D1710  
ALL OTHER METAL PARTS - BRASS PER ASTM B16
- FINISHES: CONTACT & INTERNAL BODY - GOLD PLATED PER MIL-G-45204  
BUSHING - SILVER PLATE PER QQ-S-365  
ALL OTHER METAL PARTS - NICKEL PLATE PER QQ-N-290

UNLESS OTHERWISE SPECIFIED: TOLERANCES: 3 PLACES =  $\pm .005$ , 2 PLACES =  $\pm .02$ , ANGLES =  $\pm 1/2^\circ$ , SURFACE FINISH = 63

ALT.	REVISIONS	DATE
-	OUTLINE	10/6/04

DELTA ELECTRONICS MFG. CORP. Beverly, MA 01915					
TITLE: TRIAXIAL BULKHEAD JACK RECEPTACLE - SOLDER POT CONTACT					
Drawn by BJM 10/6/04	Scale 4/1	Ckd. by MR	Engr Appd MR	FILE NAME: 2020000N621-003T	

THESE DRAWINGS AND SPECIFICATIONS ARE THE PROPERTY OF DELTA ELECTRONICS MFG CORP. AND SHALL NOT BE REPRODUCED, OR COPIED OR USED AS THE BASIS FOR THE MANUFACTURE OR SALE OF APPARATUS OR DEVICES WITHOUT THEIR EXPRESS WRITTEN CONSENT.

CODE IDENT.-00795

2020-000-N621-3