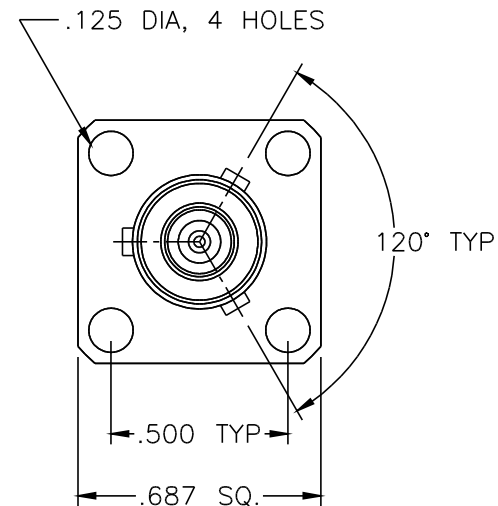
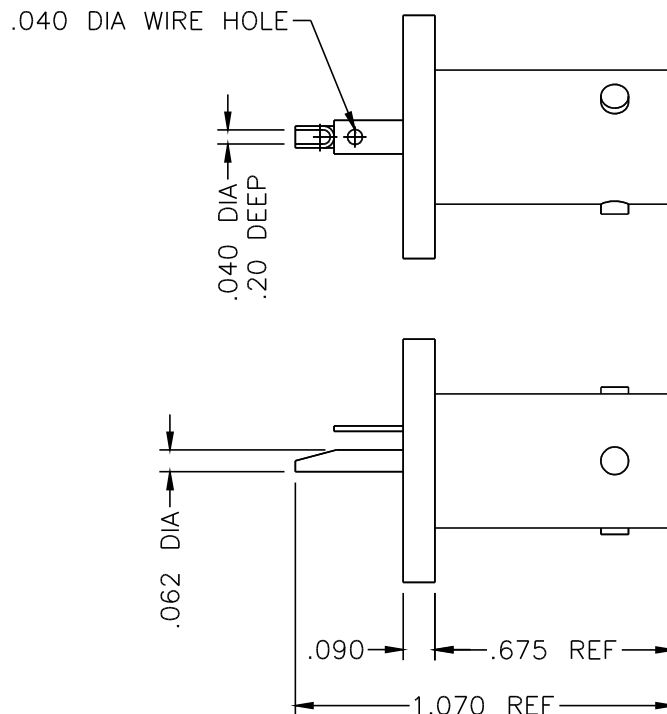




2013-000-N091-2



NOTES:

1. ASSEMBLED CONNECTOR INTERFACE IS DESIGNED IN ACCORDANCE WITH MIL-STD-348.
2. MATERIAL: ALL METAL PARTS - BRASS PER ASTM B16
 CONTACT - BERYLLIUM COPPER PER ASTM B196.
 BUSHING - BRASS PER ASTM B16.
 INSULATOR - TEFLON PER ASTM D1710

3. FINISHES: ALL METAL PARTS - NICKEL PLATE PER QQ-N-290 EXCEPT
 INNER BODY & CONTACT - GOLD PLATE PER MIL-G-45204 AND
 BUSHING - SILVER PLATE PER QQ-S-365

UNLESS OTHERWISE SPECIFIED: TOLERANCES: 3 PLACES = ±.005, 2 PLACES = ±.02, ANGLES = ±1/2°

-	OUTLINE	2-12-96
ALT.	REVISIONS	DATE

DELTA ELECTRONICS MFG. CORP. Beverly, MA 01915				
TITLE: TRB "BNC" PANEL RECEPTACLE				
Drawn by nct 2-12-96	Scale 2/1	Ckd. by	Engr Appd	FILE NAME: 2013000N091-002T
CODE IDENT: 00795		2013-000-N091-2		

THESE DRAWINGS AND SPECIFICATIONS ARE THE PROPERTY OF DELTA ELECTRONICS MFG CORP. AND SHALL NOT BE REPRODUCED, OR COPIED OR USED AS THE BASIS FOR THE MANUFACTURE OR SALE OF APPARATUS OR DEVICES WITHOUT THEIR EXPRESS WRITTEN CONSENT.