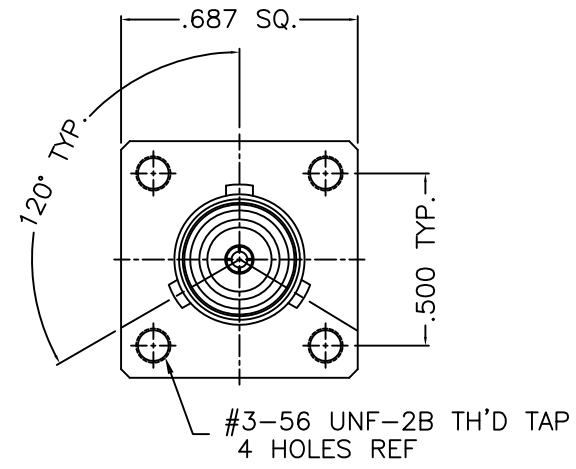
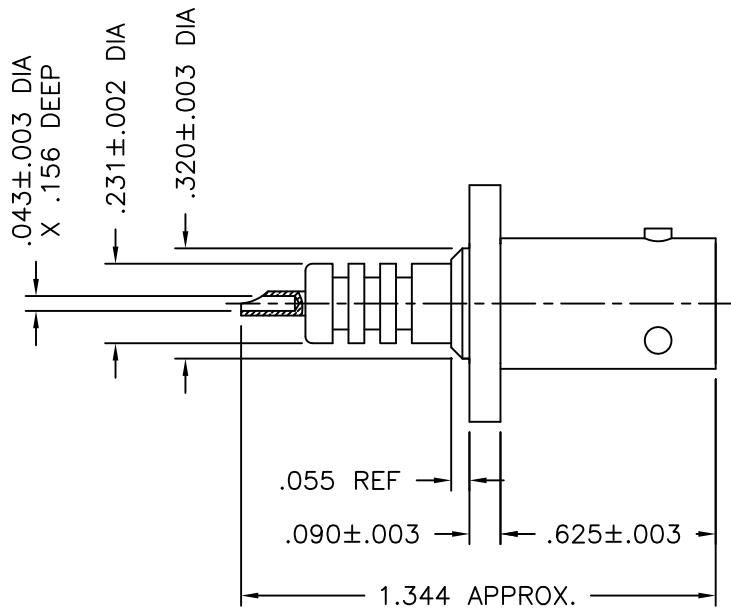




1713-000-N072



NOTES:

1. ASSEMBLED CONNECTOR INTERFACE IS DESIGNED IN ACCORDANCE WITH MIL-STD-348, EXCEPT POLARIZED 3 STUD MATING
2. MATERIAL: CONTACT - BERYLLIUM COPPER PER ASTM B196.
INSULATOR - TEFLON PER ASTM D1710
ALL OTHER PARTS - BRASS PER ASTM B16
3. FINISHES: CONTACT - GOLD PLATE PER QQ-G-45204
ALL OTHER METAL PARTS - NICKEL PLATE PER QQ-N-290

UNLESS OTHERWISE SPECIFIED: TOLERANCES: 3 PLACES = ±.005, 2 PLACES = ±.02, ANGLES = ±1/2°, SURFACE FINISH = 63

-	OUTLINE	10/8/09
ALT.	REVISIONS	DATE

DELTA ELECTRONICS MFG. CORP. Beverly, MA 01915					
TITLE: "MHV" PANEL JACK RECEPTACLE - POLARIZED 3 STUD MATING (120/120/120)					
Drawn by BJM 10/8/09	Scale 2/1	Ckd. by BJM	Engr Appd MR	FILE NAME: 1713000N072-000T	

THESE DRAWINGS AND SPECIFICATIONS ARE THE PROPERTY OF DELTA ELECTRONICS MFG CORP. AND SHALL NOT BE REPRODUCED, OR COPIED OR USED AS THE BASIS FOR THE MANUFACTURE OR SALE OF APPARATUS OR DEVICES WITHOUT THEIR EXPRESS WRITTEN CONSENT.

CODE IDENT.-00795 1713-000-N072