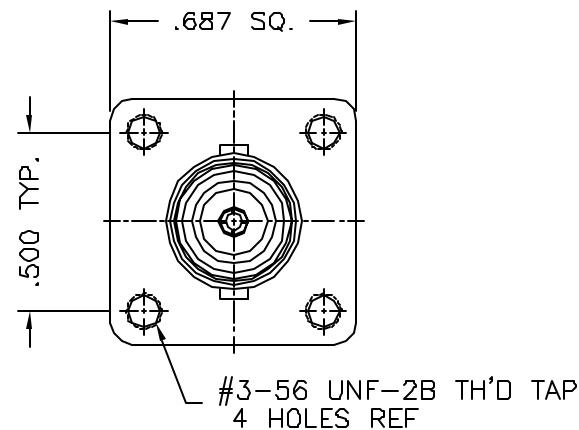
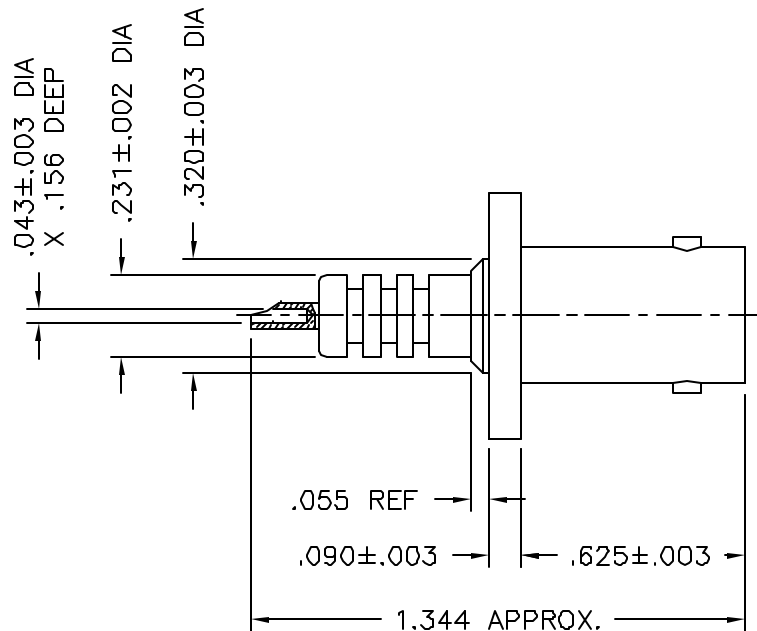


1713-000-N071



NOTES:

1. ASSEMBLED CONNECTOR INTERFACE IS DESIGNED IN ACCORDANCE WITH MIL-STD-348.
2. MATERIAL: CONTACT - BERYLLIUM COPPER PER ASTM B196.
INSULATOR - TEFLON PER ASTM D1710
ALL OTHER PARTS - BRASS PER ASTM B16
3. FINISHES: CONTACT - GOLD PLATE PER QQ-G-45204
ALL OTHER METAL PARTS - NICKEL PLATE PER QQ-N-290

UG-931/U

UNLESS OTHERWISE SPECIFIED: TOLERANCES: 3 PLACES = ±.008, 2 PLACES = ±.02, ANGLES = ±1/2', SURFACE FINISH = 63

A	REVISED	4/17/07
-	OUTLINE	8/18/02
ALT.	REVISIONS	DATE

DELTA ELECTRONICS MFG. CORP. Beverly, MA 01915

TITLE: "MHV" PANEL JACK RECEPTACLE

Drawn by EJM 8/18/02	Scale 2/1	Ckd. by MR	Engr Appd MR	FILE NAME: 1713000N071-000T
----------------------------	--------------	---------------	-----------------	--------------------------------

THESE DRAWINGS AND SPECIFICATIONS ARE THE PROPERTY OF DELTA ELECTRONICS MFG CORP. AND SHALL NOT BE REPRODUCED, OR COPIED OR USED AS THE BASIS FOR THE MANUFACTURE OR SALE OF APPARATUS OR DEVICES WITHOUT THEIR EXPRESS WRITTEN CONSENT.

CODE IDENT.-00795 1713-000-N071