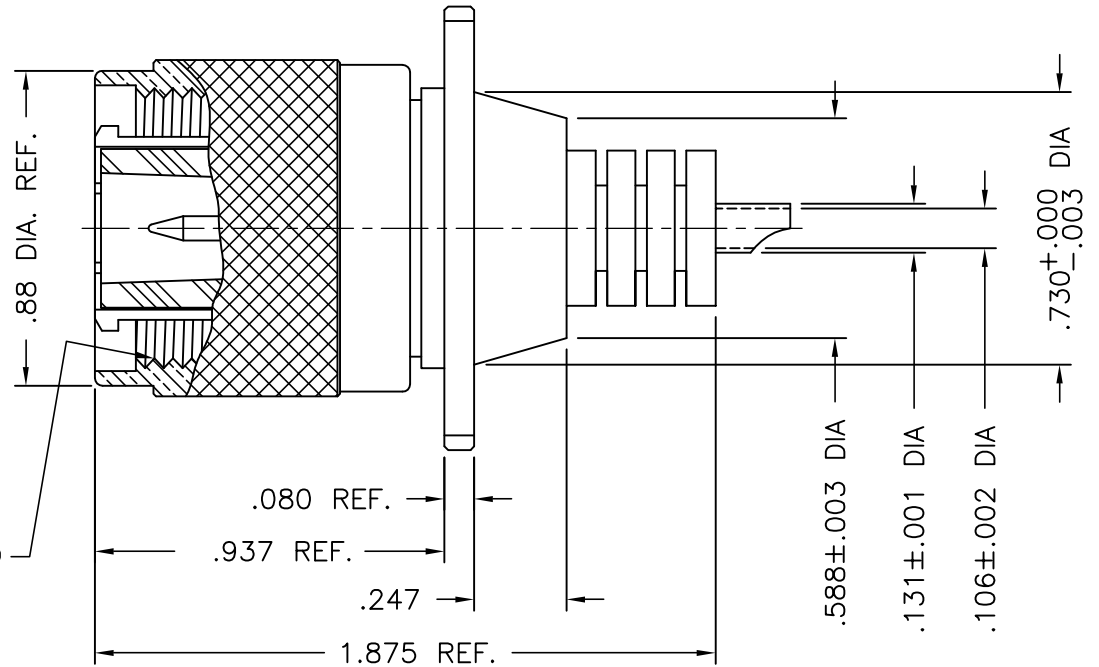
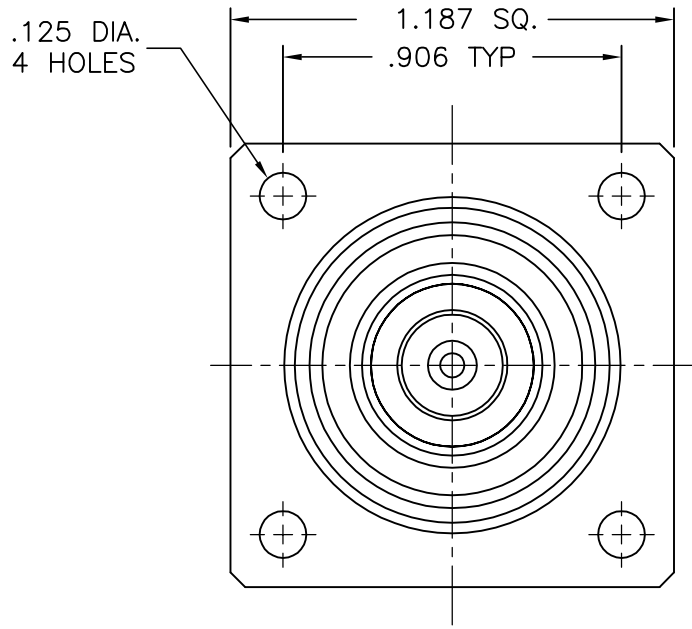




1623-000-N401



3/4-20 UNEF-2B THREAD

NOTES:

1. ASSEMBLED CONNECTOR INTERFACE IS DESIGNED IN ACCORDANCE WITH MIL-STD-348.
2. MATERIAL: INSULATOR - TEFLON PER ASTM D1710
 GASKET - SILICONE RUBBER PER ZZ-R-765
 LOCKING RING - PHOSPHOR BRONZE PER QQ-B-750
 ALL OTHER METAL PARTS - BRASS PER ASTM B16.
3. FINISHES: CONTACT - SILVER PLATE PER QQ-S-365.
 ALL OTHER METAL PARTS NICKEL PLATE PER QQ-N290.

-	OUTLINE	10/9/03
ALT.	REVISIONS	DATE

DELTA ELECTRONICS MFG. CORP. Beverly, MA 01915

TITLE: 'HN' PANEL PLUG RECEPTACLE

Drawn by BJM	Scale 2/1	Ckd. by MR	Engr Appd MR	FILE NAME: 1623000N401-000T
-----------------	--------------	---------------	-----------------	--------------------------------

UNLESS OTHERWISE SPECIFIED: TOLERANCES: 3 PLACES = ±.005, 2 PLACES = ±.02, ANGLES = ±1/2°, SURFACE FINISH = 63

THESE DRAWINGS AND SPECIFICATIONS ARE THE PROPERTY OF DELTA ELECTRONICS MFG CORP. AND SHALL NOT BE REPRODUCED, OR COPIED OR USED AS THE BASIS FOR THE MANUFACTURE OR SALE OF APPARATUS OR DEVICES WITHOUT THEIR EXPRESS WRITTEN CONSENT.

CODE IDENT.-00795 1623-000-N401