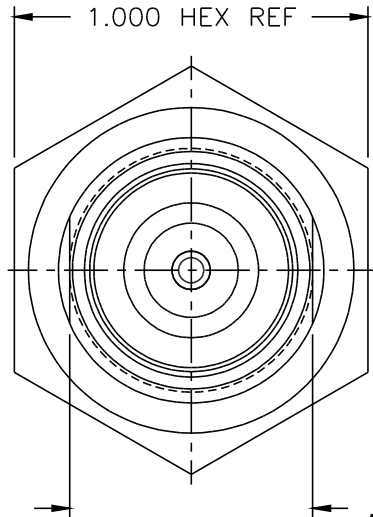


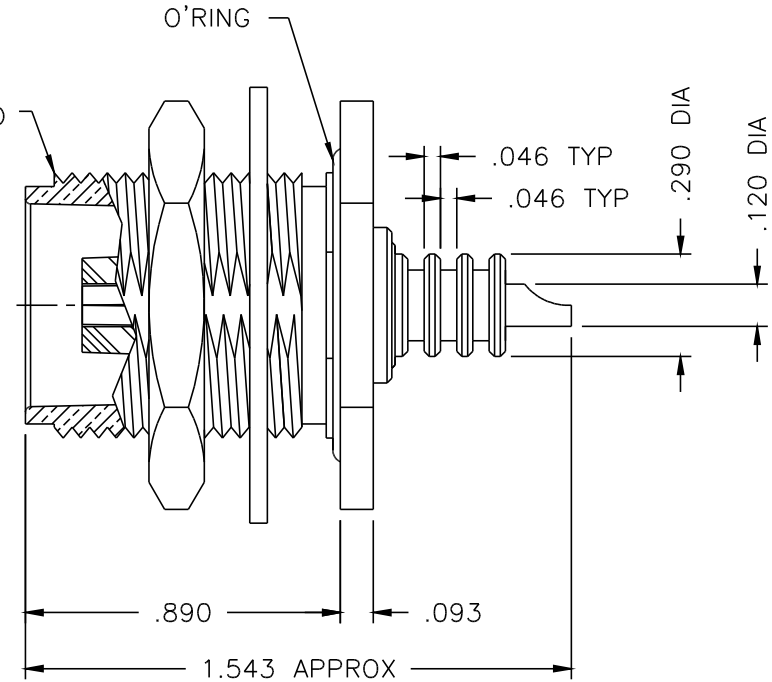


1621-000-N691



VIEW SHOWN WITH HEX NUT AND LOCKWASHER REMOVED

3/4-20 UNEF-2A TH'D



NOTES:

- ASSEMBLED CONNECTOR INTERFACE IS DESIGNED IN ACCORDANCE WITH MIL-STD-348.
- MATERIAL: O'RING - SILICONE RUBBER PER ZZ-R-765
CONTACT - BERYLLIUM COPPER PER ASTM B196.
INSULATOR - TEFLON PER ASTM D1710
LOCKWASHER - SPRING STEEL
ALL OTHER METAL PARTS - BRASS PER ASTM B16
- FINISHES: CONTACT - SILVER PLATE PER QQ-S-365
ALL OTHER METAL PARTS - NICKEL PLATE PER QQ-N-290

| | | | | | |
|---|--------------|---------------|-----------|--------------------------------|--|
| DELTA ELECTRONICS MFG. CORP. Beverly, MA 01915 | | | | | |
| TITLE: 'HN' BULKHEAD MOUNTED JACK RECEPTACLE - SOLDER POT CONTACT | | | | | |
| Drawn by BJM 10/31/00 | Scale 2/1 | Ckd. by | Engr Appd | FILE NAME: 1621000N691-000T | |
| CODE IDENT.-00795 | | 1621-000-N691 | | | |

UNLESS OTHERWISE SPECIFIED: TOLERANCES: 3 PLACES = ±.005, 2 PLACES = ±.02, ANGLES = ±1/2°, SURFACE FINISH = 63

| | | |
|------|-----------|----------|
| - | OUTLINE | 10/31/00 |
| ALT. | REVISIONS | DATE |

THESE DRAWINGS AND SPECIFICATIONS ARE THE PROPERTY OF DELTA ELECTRONICS MFG CORP. AND SHALL NOT BE REPRODUCED, OR COPIED OR USED AS THE BASIS FOR THE MANUFACTURE OR SALE OF APPARATUS OR DEVICES WITHOUT THEIR EXPRESS WRITTEN CONSENT.