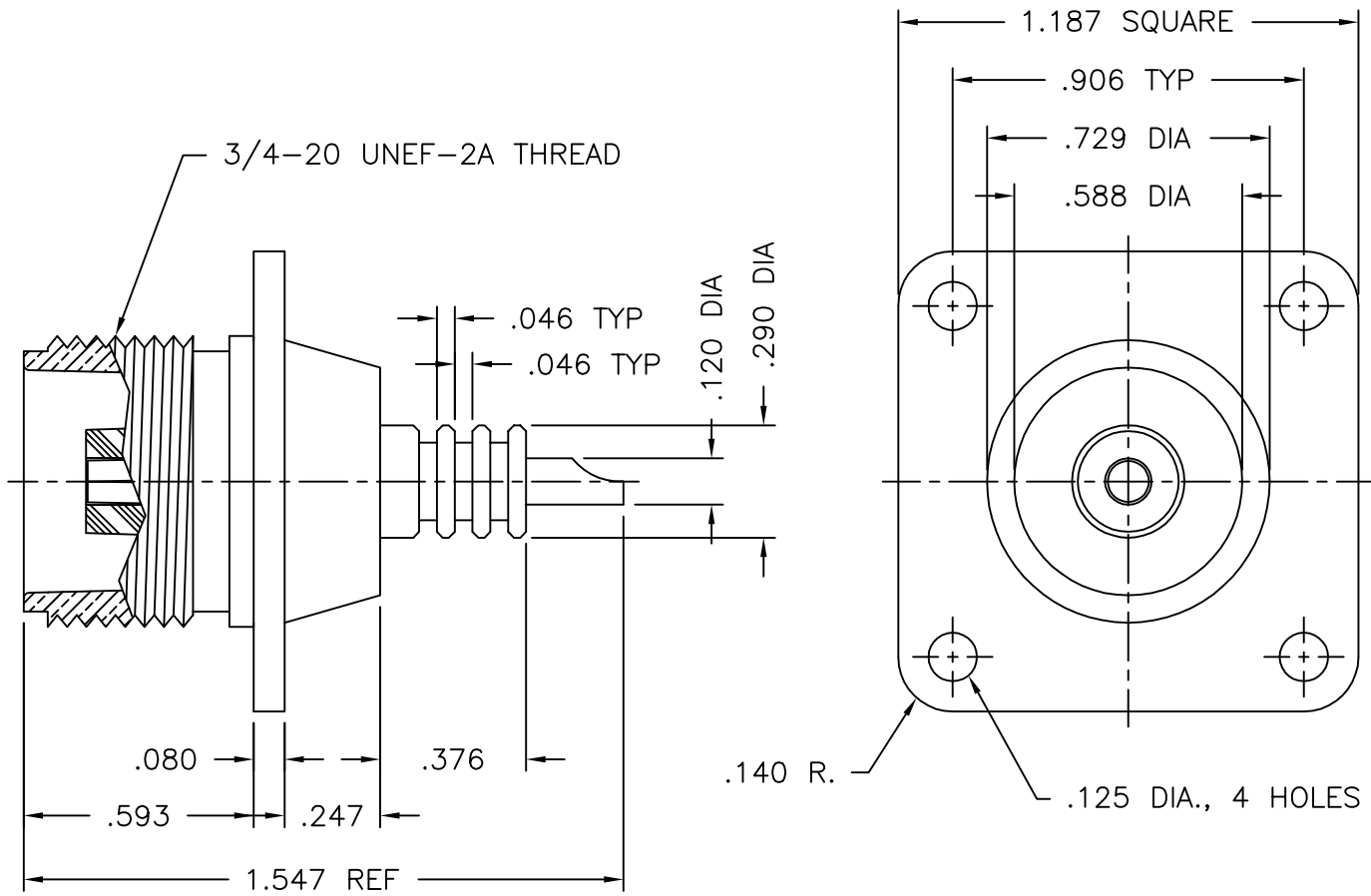




1611-000-N401



NOTES:

1. ASSEMBLED CONNECTOR INTERFACE IS DESIGNED IN ACCORDANCE WITH MIL-STD-348.
2. MATERIAL: BODY - BRASS PER ASTM B16
CONTACT - BERYLLIUM COPPER PER ASTM B196.
INSULATOR - TEFLON PER ASTM D1710
3. FINISHES: BODY - NICKEL PLATE PER QQ-N-290
CONTACT - SILVER PLATE PER QQ-S-365

UG-496/U

DELTA ELECTRONICS MFG. CORP. Beverly, MA 01915				
TITLE: 'HN' (F) PANEL MOUNTED JACK				
Drawn by RWP 4/2/97	Scale 2/1	Ckd. by	Engr Appd	FILE NAME: 1611000N401-000T

A	REVISED	9/15/04
-	OUTLINE	4/2/97
ALT.	REVISIONS	DATE

UNLESS OTHERWISE SPECIFIED: TOLERANCES: 3 PLACES = ±.005, 2 PLACES = ±.02, ANGLES = ±1/2°

THESE DRAWINGS AND SPECIFICATIONS ARE THE PROPERTY OF DELTA ELECTRONICS MFG CORP. AND SHALL NOT BE REPRODUCED, OR COPIED OR USED AS THE BASIS FOR THE MANUFACTURE OR SALE OF APPARATUS OR DEVICES WITHOUT THEIR EXPRESS WRITTEN CONSENT.

CODE IDENT.-00795 1611-000-N401