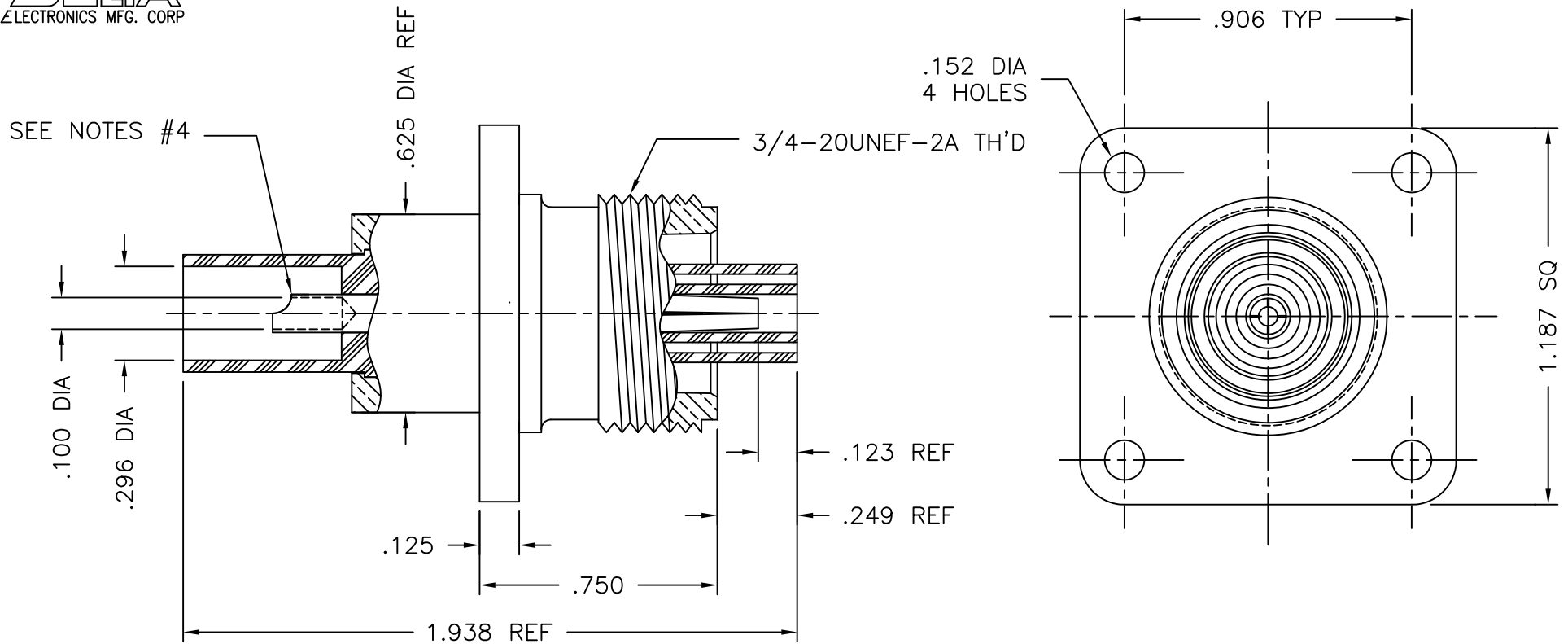




1513000A391-000



NOTES:

1. MATERIAL: BODY, BUSHING & FLANGE - BRASS PER ASTM B16.
SOLDER POST CONTACT - BRASS PER ASTM B16.
FEMALE CONTACT - BERYLLIUM COPPER PER ASTM B196.
2. FINISHES: CONTACTS - GOLD PLATE PER MIL-G-45204
ALL OTHER METAL PARTS - SILVER PLATE PER QQ-S-365
3. WITH ADEQUATE EXTERNAL INSULATION ON FLANGE END, CONNECTOR TO WITHSTAND 30 KVDC FOR 1 MINUTE.
4. CONTACTS SHIPPED UNASSEMBLED

UNLESS OTHERWISE SPECIFIED: TOLERANCES: 3 PLACES = ±.005, 2 PLACES = ±.02, ANGLES = ±1/2°, SURFACE FINISH = 63

-	OUTLINE	12/26/11
ALT.	REVISIONS	DATE

DELTA ELECTRONICS MFG. CORP. Beverly, MA 01915				
TITLE: GHV PANEL MOUNTED JACK RECEPTACLE FOR RG-8/U CABLE				
Drawn by JAMES 12/26/11	Scale 2/1	Ckd. by BJM	Engr Appd MR	FILE NAME: 1513000A391-000T

THESE DRAWINGS AND SPECIFICATIONS ARE THE PROPERTY OF DELTA ELECTRONICS MFG CORP. AND SHALL NOT BE REPRODUCED, OR COPIED OR USED AS THE BASIS FOR THE MANUFACTURE OR SALE OF APPARATUS OR DEVICES WITHOUT THEIR EXPRESS WRITTEN CONSENT.

CODE IDENT.-00795

1513000A391-000