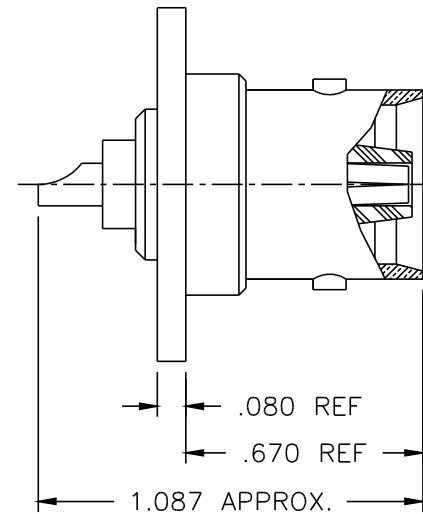
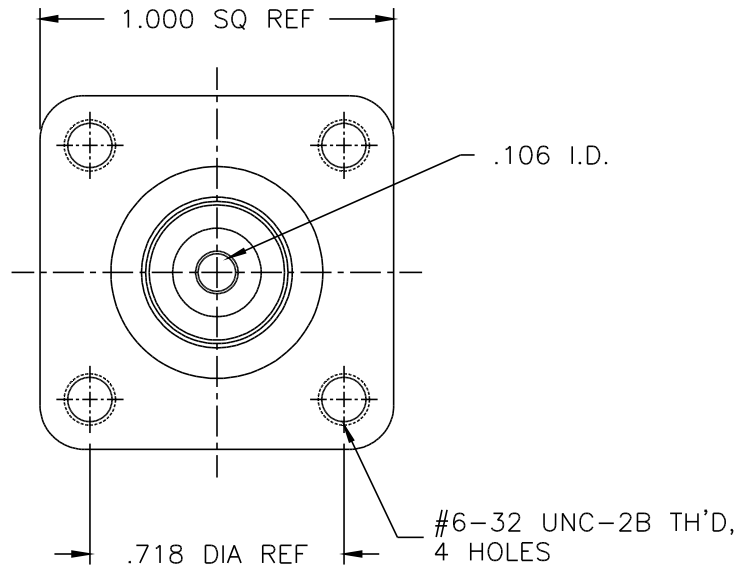




1458-000-N260



NOTES:

1. ASSEMBLED CONNECTOR INTERFACE IS DESIGNED IN ACCORDANCE WITH MIL-STD-348.
2. MATERIAL: BODY & MOUNTING PLATE - BRASS PER ASTM B16
CONTACT - BERYLLIUM COPPER PER ASTM B196.
INSULATOR - TEFLON PER ASTM D1710
3. FINISHES: BODY AND MOUNTING PLATE - NICKEL PLATE PER QQ-N-290
CONTACT - SILVER PLATE PER QQ-S-365

UG-568/U

DELTA ELECTRONICS MFG. CORP. Beverly, MA 01915					
TITLE: 'C' PANEL MOUNTED JACK RECEPTACLE - SOLDER POT CONTACT					
Drawn by BJM 3/8/00	Scale 2/1	Ckd. by	Engr Appd	FILE NAME: 1458000N260-000T	
CODE IDENT.-00795		1458-000-N260			

UNLESS OTHERWISE SPECIFIED: TOLERANCES: 3 PLACES = ±.005, 2 PLACES = ±.02, ANGLES = ±1/2°

-	OUTLINE	3/8/00
ALT.	REVISIONS	DATE

THESE DRAWINGS AND SPECIFICATIONS ARE THE PROPERTY OF DELTA ELECTRONICS MFG CORP. AND SHALL NOT BE REPRODUCED, OR COPIED OR USED AS THE BASIS FOR THE MANUFACTURE OR SALE OF APPARATUS OR DEVICES WITHOUT THEIR EXPRESS WRITTEN CONSENT.