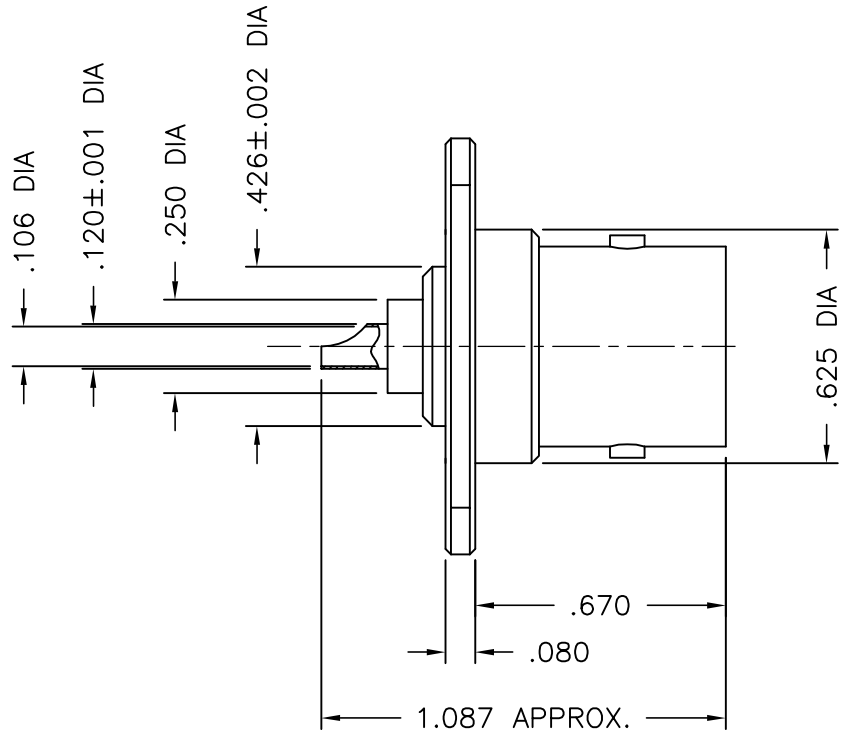
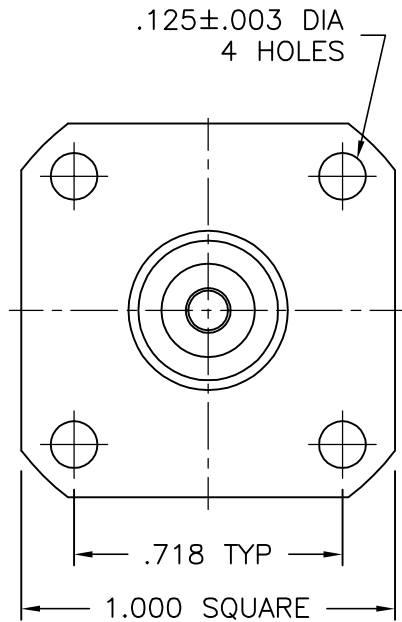




1413-000-N331



**NOTES:**

1. ASSEMBLED CONNECTOR INTERFACE IS DESIGNED IN ACCORDANCE WITH MIL-STD-348.
2. MATERIAL: BODY - BRASS PER ASTM B16  
INSULATOR - TEFLON PER ASTM D1710  
CONTACT - BERYLLIUM COPPER PER ASTM B196.
3. FINISHES: BODY - NICKEL PLATE PER QQ-N-290  
CONTACT - SILVER PLATE PER QQ-S-365

DELTA ELECTRONICS MFG. CORP. Beverly, MA 01915

TITLE: C PANEL MOUNT JACK RECEPTACLE  
- SOLDER POT CONTACT

UNLESS OTHERWISE SPECIFIED: TOLERANCES: 3 PLACES = ±.005, 2 PLACES = ±.02, ANGLES = ±1/2°, SURFACE FINISH = 63	-	OUTLINE	10/16/02
	ALT.	REVISIONS	DATE

Drawn by BJM	Scale 2/1	Ckd. by	Engr Appd	FILE NAME: 1413000N331-000T
10/16/02				

THESE DRAWINGS AND SPECIFICATIONS ARE THE PROPERTY OF DELTA ELECTRONICS MFG CORP. AND SHALL NOT BE REPRODUCED, OR COPIED OR USED AS THE BASIS FOR THE MANUFACTURE OR SALE OF APPARATUS OR DEVICES WITHOUT THEIR EXPRESS WRITTEN CONSENT.

CODE IDENT.-00795      1413-000-N331