

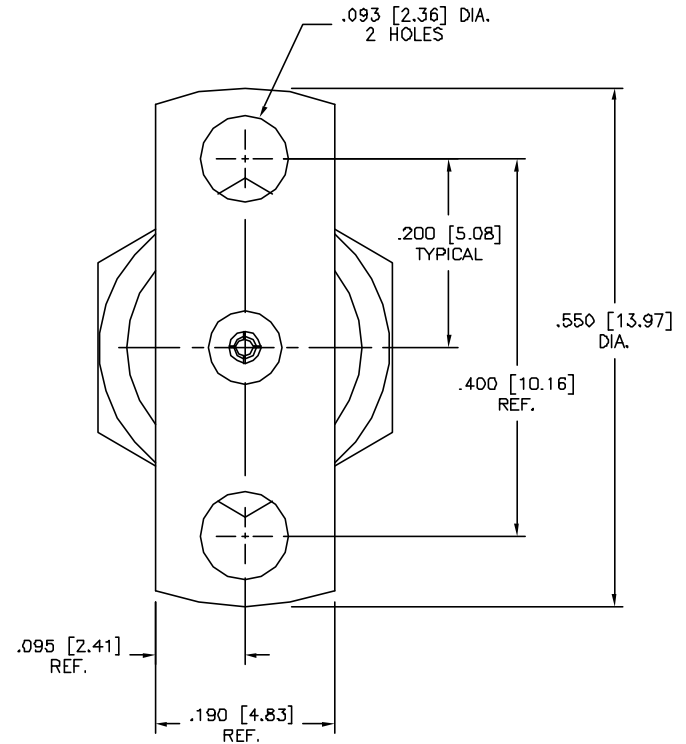
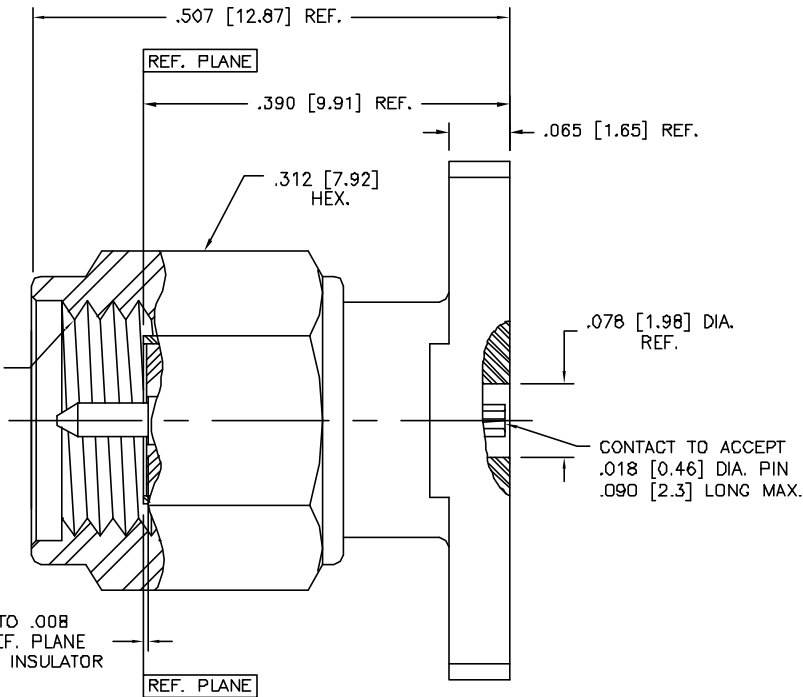
1397-000-K911-013

DIMENSIONS IN BRACKETS ARE IN MILLIMETERS AND ARE FOR REFERENCE ONLY.



1/4-36 UNEF-2B THREAD

FLUSH TO .008 BELOW REF. PLANE CONTACT & INSULATOR



CONTACT TO ACCEPT .018 [0.46] DIA. PIN .090 [2.3] LONG MAX.

NOTES:

- ASSEMBLED CONNECTOR INTERFACE IS DESIGNED IN ACCORDANCE WITH MIL-STD-348, EXCEPT WHERE NOTED.
- MATERIAL: BODY & COUPLING NUT - CORROSION RESISTANT STEEL, SERIES 303, PER ASTM A582
CONTACT - BERYLLIUM COPPER PER ASTM B196.
LOCKING RING - BERYLLIUM COPPER PER ASTM B196
INSULATOR - TEFLON PER ASTM D1710
GASKET - SILICONE RUBBER PER A-A-59588
- FINISHES: BODY & COUPLING NUT - PASSIVATE PER AMS-QQ-P-35
CONTACT - GOLD PLATE PER MIL-G-45204

4. ELECTRICAL DATA:

FREQUENCY: DC TO 26.5 GHz
VSWR: DC TO 18.0 GHz - 1.15:1 MAXIMUM
18.0 TO 26.5 GHz - 1.25:1 MAXIMUM
INSERTION LOSS: $.03 \sqrt{f(\text{GHz})}$ dB MAXIMUM
INSULATION RESISTANCE: 5,000 MEGOHMS MINIMUM
VOLTAGE RATING: 1,000 Vrms MINIMUM AT SEA LEVEL,
250 Vrms MINIMUM AT 70,000 FEET
DIELECTRIC WITHSTANDING VOLTAGE: 1,000 Vrms MINIMUM
RF LEAKAGE: -100 dB MIN.

DELTA ELECTRONICS MFG. CORP. Beverly, MA 01915				
TITLE: 'SMA' PANEL MOUNT PLUG RECEPTACLE, 2 HOLE FLANGE FIELD REPLACEABLE, AIRSECTION - ACCEPTS .018 D. PIN				
MATERIAL: SEE NOTE 2				
FINISH: SEE NOTE 3				
BUM STM	Scale 8/1	Chk. by	Mfg. Appd.	Engr. Appd.
03/17/05				
CODE IDENT.-00795		1397-000-K911-013		

UNLESS OTHERWISE SPECIFIED: TOLERANCES: 3 PLACES = ±.005, 2 PLACES = ±.02, ANGLES = ±1/2°. SURFACE FINISH = 63

THESE DRAWINGS AND SPECIFICATIONS ARE THE PROPERTY OF DELTA ELECTRONICS MFG CORP. AND SHALL NOT BE REPRODUCED, OR COPIED OR USED AS THE BASIS FOR THE MANUFACTURE OR SALE OF APPARATUS OR DEVICES WITHOUT THEIR EXPRESS WRITTEN CONSENT.

-	OUTLINE	11/16/06							
ALT.	REVISIONS	DATE	-	REL	ERN	X			
ALT.	REVISIONS	DATE					ENGR APPD	MFG APPD	
FILE NAME: 1397000K911-013T			PLT 8/1						