

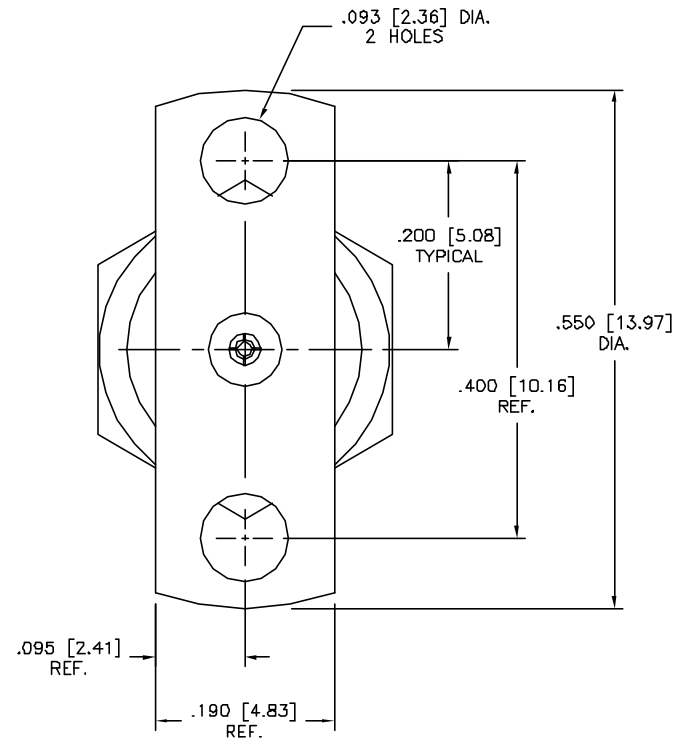
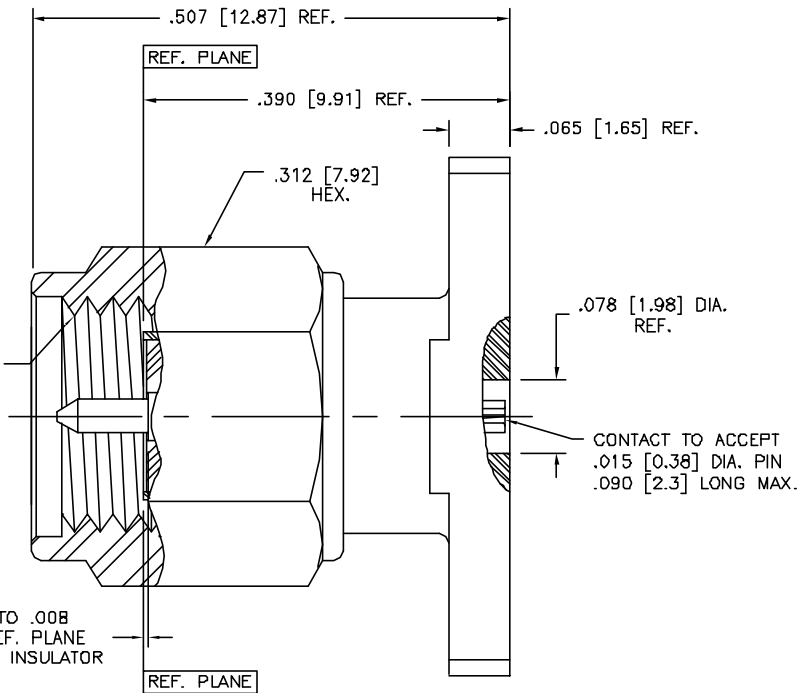
1397-000-K911-012

DIMENSIONS IN BRACKETS ARE IN MILLIMETERS AND ARE FOR REFERENCE ONLY.



1/4-36 UNEF-2B THREAD

FLUSH TO .008 BELOW REF. PLANE CONTACT & INSULATOR



NOTES:

- ASSEMBLED CONNECTOR INTERFACE IS DESIGNED IN ACCORDANCE WITH MIL-STD-348, EXCEPT WHERE NOTED.
- MATERIAL: BODY & COUPLING NUT - CORROSION RESISTANT STEEL, SERIES 303, PER ASTM A582  
 CONTACT - BERYLLIUM COPPER PER ASTM B196.  
 LOCKING RING - BERYLLIUM COPPER PER ASTM B196  
 INSULATOR - TEFLON PER ASTM D1710  
 GASKET - SILICONE RUBBER PER A-A-59588
- FINISHES: BODY & COUPLING NUT - PASSIVATE PER AMS-QQ-P-35  
 CONTACT - GOLD PLATE PER MIL-G-45204

4. ELECTRICAL DATA:

FREQUENCY: DC TO 26.5 GHz  
 VSWR: DC TO 18.0 GHz - 1.15:1 MAXIMUM  
 18.0 TO 26.5 GHz - 1.25:1 MAXIMUM  
 INSERTION LOSS:  $.03 \sqrt{f(\text{GHz})}$  dB MAXIMUM  
 INSULATION RESISTANCE: 5,000 MEGOHMS MINIMUM  
 VOLTAGE RATING: 1,000 Vrms MINIMUM AT SEA LEVEL,  
 250 Vrms MINIMUM AT 70,000 FEET  
 DIELECTRIC WITHSTANDING VOLTAGE: 1,000 Vrms MINIMUM  
 RF LEAKAGE: -100 dB MIN.

DELTA ELECTRONICS MFG. CORP. Beverly, MA 01915				
TITLE: 'SMA' PANEL MOUNT PLUG RECEPTACLE, 2 HOLE FLANGE FIELD REPLACEABLE, AIRSECTION - ACCEPTS .015 D. PIN				
MATERIAL: SEE NOTE 2				
FINISH: SEE NOTE 3				
BUM STM 03/17/05	Scale 8/1	Chk. by	Mfg. Appd.	Engr. Appd.
CODE IDENT.-00795		1397-000-K911-012		

UNLESS OTHERWISE SPECIFIED: TOLERANCES: 3 PLACES = ±.005, 2 PLACES = ±.02, ANGLES = ±1/2°. SURFACE FINISH = 63

-	OUTLINE	11/16/06							
ALT.	REVISIONS	DATE	-	REL	ERN	X			
ALT.	REVISIONS	DATE					ENGR APPD	MFG APPD	

FILE NAME: 1397000K911-012T PLT 8/1

THESE DRAWINGS AND SPECIFICATIONS ARE THE PROPERTY OF DELTA ELECTRONICS MFG CORP. AND SHALL NOT BE REPRODUCED, OR COPIED OR USED AS THE BASIS FOR THE MANUFACTURE OR SALE OF APPARATUS OR DEVICES WITHOUT THEIR EXPRESS WRITTEN CONSENT.