

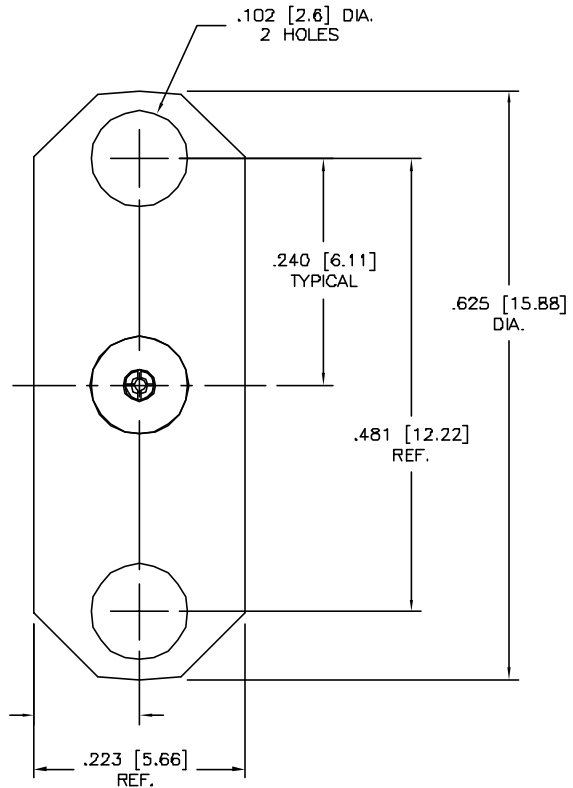
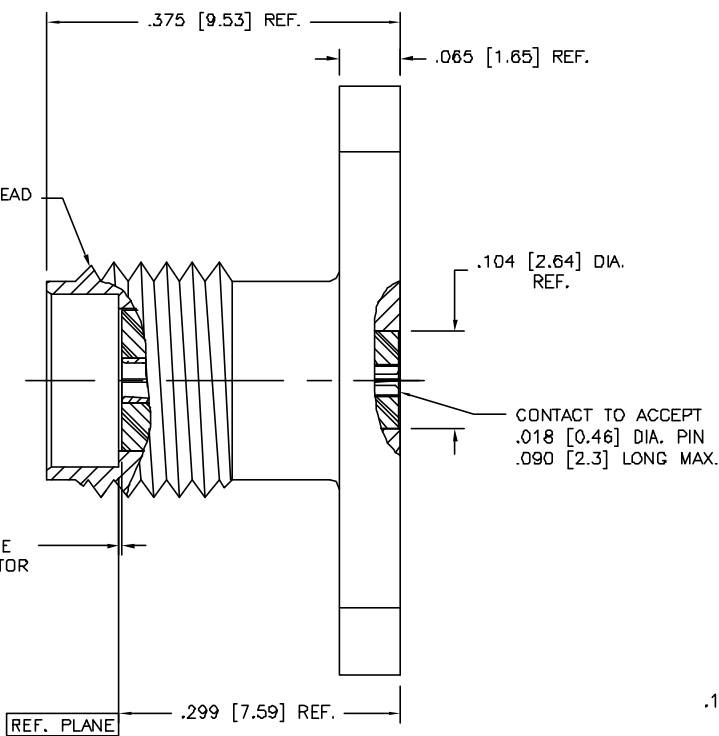
1396-000-K921-023

DIMENSIONS IN BRACKETS ARE IN MILLIMETERS AND ARE FOR REFERENCE ONLY.



1/4-36 UNEF-2A THREAD

FLUSH TO .008 BELOW REF. PLANE CONTACT & INSULATOR



NOTES:

- CONNECTOR INTERFACE IS DESIGNED IN ACCORDANCE WITH MIL-STD-348, EXCEPT AS NOTED.
- MATERIAL: BODY - CORROSION RESISTANT STEEL PER ASTM A582, TYPE 303
CONTACT - BERYLLIUM COPPER, ALLOY C17300 PER ASTM B196.
INSULATOR - TEFLON (PTFE), PER ASTM D1710
- FINISHES: BODY - PASSIVATE PER AMS-QQ-P-35
CONTACT - GOLD PLATE PER MIL-G-45204
- ELECTRICAL DATA:
IMPEDANCE: 50 OHMS NOMINAL
FREQUENCY: DC TO 26.5 GHz

ELECTRICAL DATA (CONT.):

VSWR: DC TO 18.0 GHz - 1.15:1 MAXIMUM
 18.0 TO 26.5 GHz - 1.25:1 MAXIMUM
 INSERTION LOSS: $.03 \sqrt{f(\text{GHz})}$ dB MAXIMUM
 INSULATION RESISTANCE: 5,000 MEGOHMS MINIMUM
 VOLTAGE RATING: 1,000 Vrms MINIMUM AT SEA LEVEL,
 250 Vrms MINIMUM AT 70,000 FEET
 DIELECTRIC WITHSTANDING VOLTAGE: 1,000 Vrms MINIMUM
 RF LEAKAGE: -100 dB MIN.

UNLESS OTHERWISE SPECIFIED; TOLERANCES: 3 PLACES = ±.005, 2 PLACES = ±.02, ANGLES = ±1/2°. SURFACE FINISH = 63

-	OUTLINE	11/16/06
ALT.	REVISIONS	DATE

-	REL	ERN	x				
ALT.	REVISIONS	DATE		ENGR APPD	MFG APPD		

FILE NAME: 1396000K921-023T PLT 8/1

DELTA ELECTRONICS MFG. CORP. Beverly, MA 01915					
TITLE: 'SMA' PANEL MOUNT JACK RECEPTACLE, 2 HOLE FLANGE FIELD REPLACEABLE, FLUSH TEFLON - ACCEPTS .018 D. PIN					
MATERIAL: SEE NOTE 2					
FINISH: SEE NOTE 3					
BUM STM	Scale 8/1	Dkd. by	Mfg. Appd.	Engr. Appd.	
01/17/05					
CODE IDENT.-00795			1396-000-K921-023		

THESE DRAWINGS AND SPECIFICATIONS ARE THE PROPERTY OF DELTA ELECTRONICS MFG CORP. AND SHALL NOT BE REPRODUCED, OR COPIED OR USED AS THE BASIS FOR THE MANUFACTURE OR SALE OF APPARATUS OR DEVICES WITHOUT THEIR EXPRESS WRITTEN CONSENT.