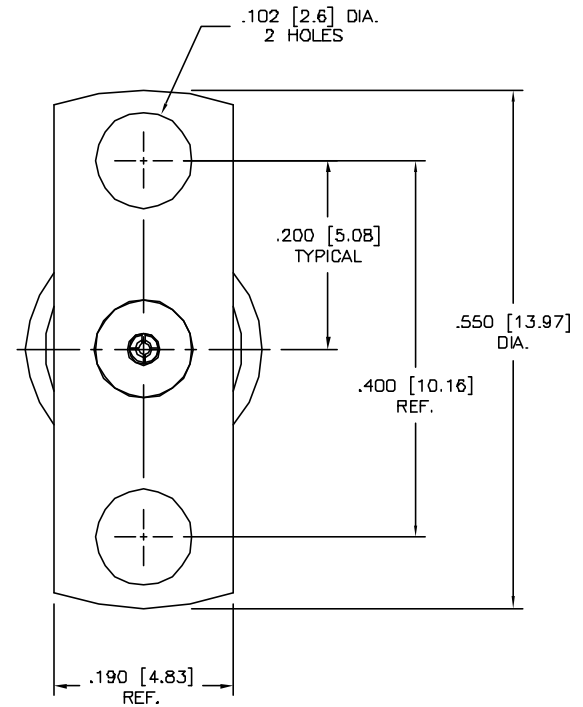
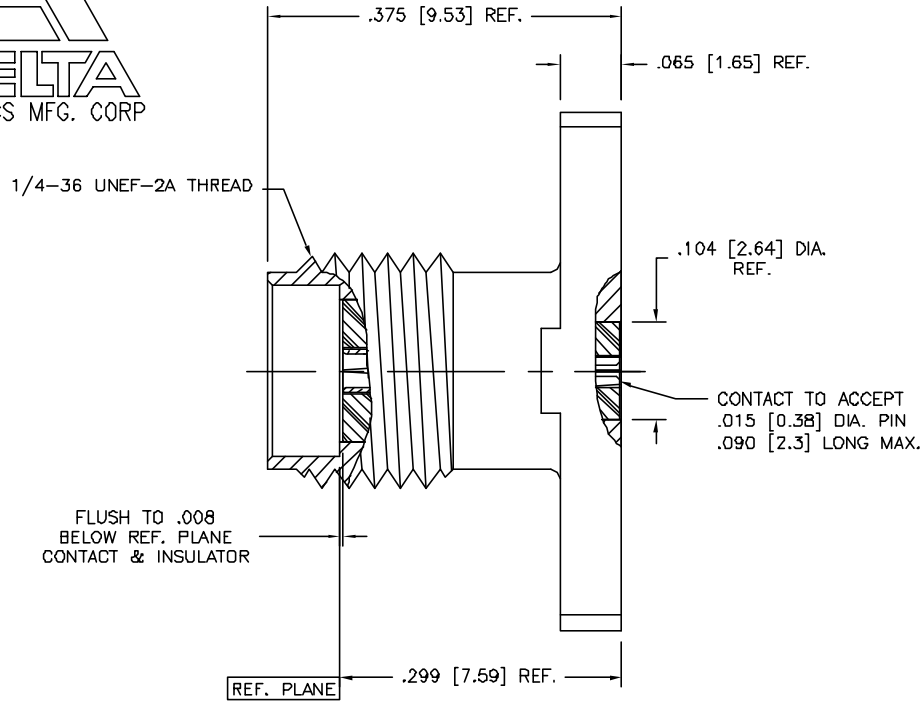


1396-000-K911-035

DIMENSIONS IN BRACKETS ARE IN MILLIMETERS AND ARE FOR REFERENCE ONLY.



NOTES:

- CONNECTOR INTERFACE IS DESIGNED IN ACCORDANCE WITH MIL-STD-348, EXCEPT AS NOTED.
- MATERIAL: BODY - CORROSION RESISTANT STEEL PER ASTM A582, TYPE 303  
CONTACT - BERYLLIUM COPPER, ALLOY C17300 PER ASTM B196.  
INSULATOR - TEFLON (PTFE), PER ASTM D1710
- FINISHES: BODY - PASSIVATE PER AMS-QQ-P-35  
CONTACT - GOLD PLATE PER MIL-G-45204
- ELECTRICAL DATA:  
IMPEDANCE: 50 OHMS NOMINAL  
FREQUENCY: DC TO 26.5 GHz

ELECTRICAL DATA (CONT.):

VSWR: DC TO 18.0 GHz - 1.15:1 MAXIMUM  
18.0 TO 26.5 GHz - 1.25:1 MAXIMUM  
INSERTION LOSS:  $.03 \sqrt{f(\text{GHz})}$  dB MAXIMUM  
INSULATION RESISTANCE: 5,000 MEGOHMS MINIMUM  
VOLTAGE RATING: 1,000 Vrms MINIMUM AT SEA LEVEL,  
250 Vrms MINIMUM AT 70,000 FEET  
DIELECTRIC WITHSTANDING VOLTAGE: 1,000 Vrms MINIMUM  
RF LEAKAGE: -100 dB MIN.

DELTA ELECTRONICS MFG. CORP. Beverly, MA 01915				
TITLE: 'SMA' PANEL MOUNT JACK RECEPTACLE, 2 HOLE FLANGE FIELD REPLACEABLE, FLUSH TEFLON - ACCEPTS .015 D. PIN				
MATERIAL: SEE NOTE 2				
FINISH: SEE NOTE 3				
BUM STM 03/16/05	Scale 8/1	Dkd. by	Mfg. Appd.	Engr. Appd.
CODE IDENT.-00795		1396-000-K911-035		

UNLESS OTHERWISE SPECIFIED; TOLERANCES: 3 PLACES = ±.005, 2 PLACES = ±.02, ANGLES = ±1/2°. SURFACE FINISH = 63

-	OUTLINE	11/16/06
ALT.	REVISIONS	DATE

-	REL	ERN	x				
ALT.	REVISIONS	DATE		ENGR APPD	MFG APPD		

FILE NAME: 1396000K911-035T PLT 8/1

THESE DRAWINGS AND SPECIFICATIONS ARE THE PROPERTY OF DELTA ELECTRONICS MFG CORP. AND SHALL NOT BE REPRODUCED, OR COPIED OR USED AS THE BASIS FOR THE MANUFACTURE OR SALE OF APPARATUS OR DEVICES WITHOUT THEIR EXPRESS WRITTEN CONSENT.