

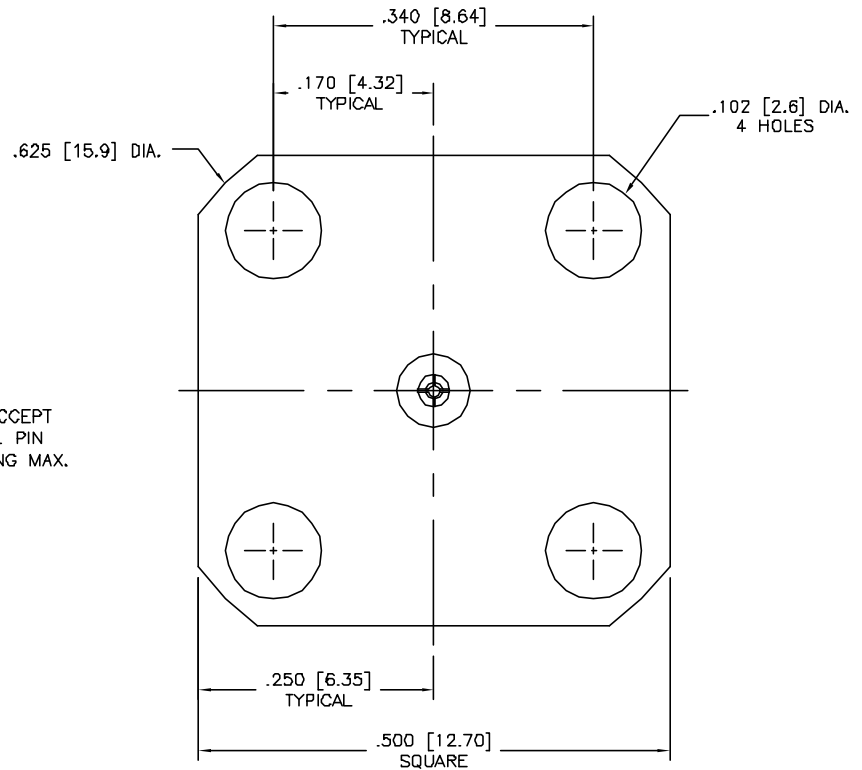
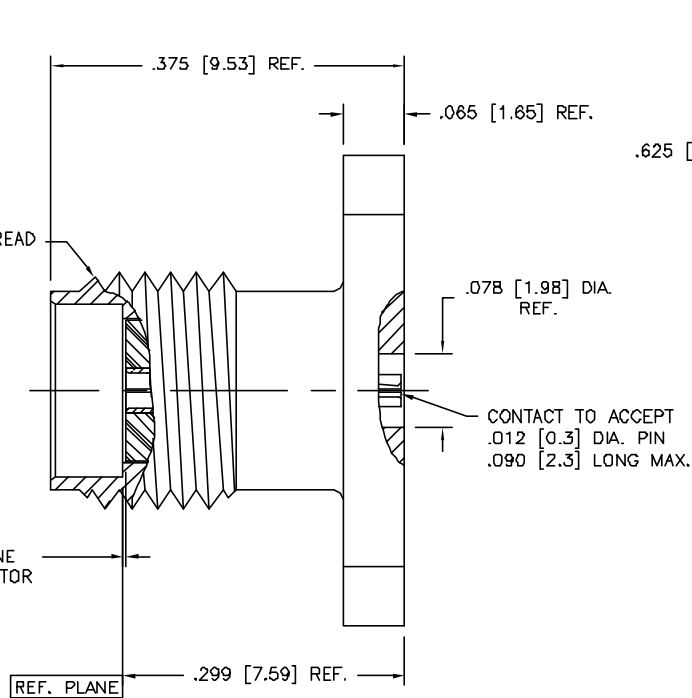
1396-000-K051-015

DIMENSIONS IN BRACKETS ARE IN MILLIMETERS AND ARE FOR REFERENCE ONLY.



1/4-36 UNEF-2A THREAD

FLUSH TO .008 BELOW REF. PLANE CONTACT & INSULATOR



NOTES:

- CONNECTOR INTERFACE IS DESIGNED IN ACCORDANCE WITH MIL-STD-348, EXCEPT AS NOTED.
- MATERIAL: BODY - CORROSION RESISTANT STEEL PER ASTM A582, TYPE 303  
CONTACT - BERYLLIUM COPPER, ALLOY C17300 PER ASTM B196.  
INSULATOR - TEFLON (PTFE), PER ASTM D1710
- FINISHES: BODY - PASSIVATE PER AMS-QQ-P-35  
CONTACT - GOLD PLATE PER MIL-G-45204
- ELECTRICAL DATA:  
IMPEDANCE: 50 OHMS NOMINAL  
FREQUENCY: DC TO 26.5 GHz

ELECTRICAL DATA (CONT.):

VSWR: DC TO 18.0 GHz - 1.15:1 MAXIMUM  
18.0 TO 26.5 GHz - 1.25:1 MAXIMUM  
INSERTION LOSS:  $.03 \sqrt{f(\text{GHz})}$  dB MAXIMUM  
INSULATION RESISTANCE: 5,000 MEGOHMS MINIMUM  
VOLTAGE RATING: 1,000 Vrms MINIMUM AT SEA LEVEL,  
250 Vrms MINIMUM AT 70,000 FEET  
DIELECTRIC WITHSTANDING VOLTAGE: 1,000 Vrms MINIMUM  
RF LEAKAGE: -100 dB MIN.

|  |              |                   |            |             |
|--|--------------|-------------------|------------|-------------|
| DELTA ELECTRONICS MFG. CORP. Beverly, MA 01915   |              |                   |            |             |
| TITLE: 'SMA' PANEL MOUNT JACK RECEPTACLE, 4 HOLE FLANGE<br>FIELD REPLACEABLE, AIRSECTION - ACCEPTS .012 D. PIN |              |                   |            |             |
| MATERIAL: SEE NOTE 2   |              |                   |            |             |
| FINISH: SEE NOTE 3   |              |                   |            |             |
| BUM<br>STM<br>8/17/04  | Scale<br>8/1 | Chk. by           | Mfg. Appd. | Engr. Appd. |
| CODE IDENT.-00795  |              | 1396-000-K051-015 |            |             |

UNLESS OTHERWISE SPECIFIED: TOLERANCES: 3 PLACES = ±.005, 2 PLACES = ±.02, ANGLES = ±1/2°. SURFACE FINISH = 63

|      |           |          |   |     |     |   |           |          |  |
|------|-----------|----------|---|-----|-----|---|-----------|----------|--|
| -    | OUTLINE   | 11/16/06 |   |     |     |   |           |          |  |
| ALT. | REVISIONS | DATE     | - | REL | ERN | X |           |          |  |
| ALT. | REVISIONS | DATE     |   |     |     |   | ENGR APPD | MFG APPD |  |

FILE NAME: 1396000K051-015T PLT 8/1

THESE DRAWINGS AND SPECIFICATIONS ARE THE PROPERTY OF DELTA ELECTRONICS MFG CORP. AND SHALL NOT BE REPRODUCED, OR COPIED OR USED AS THE BASIS FOR THE MANUFACTURE OR SALE OF APPARATUS OR DEVICES WITHOUT THEIR EXPRESS WRITTEN CONSENT.