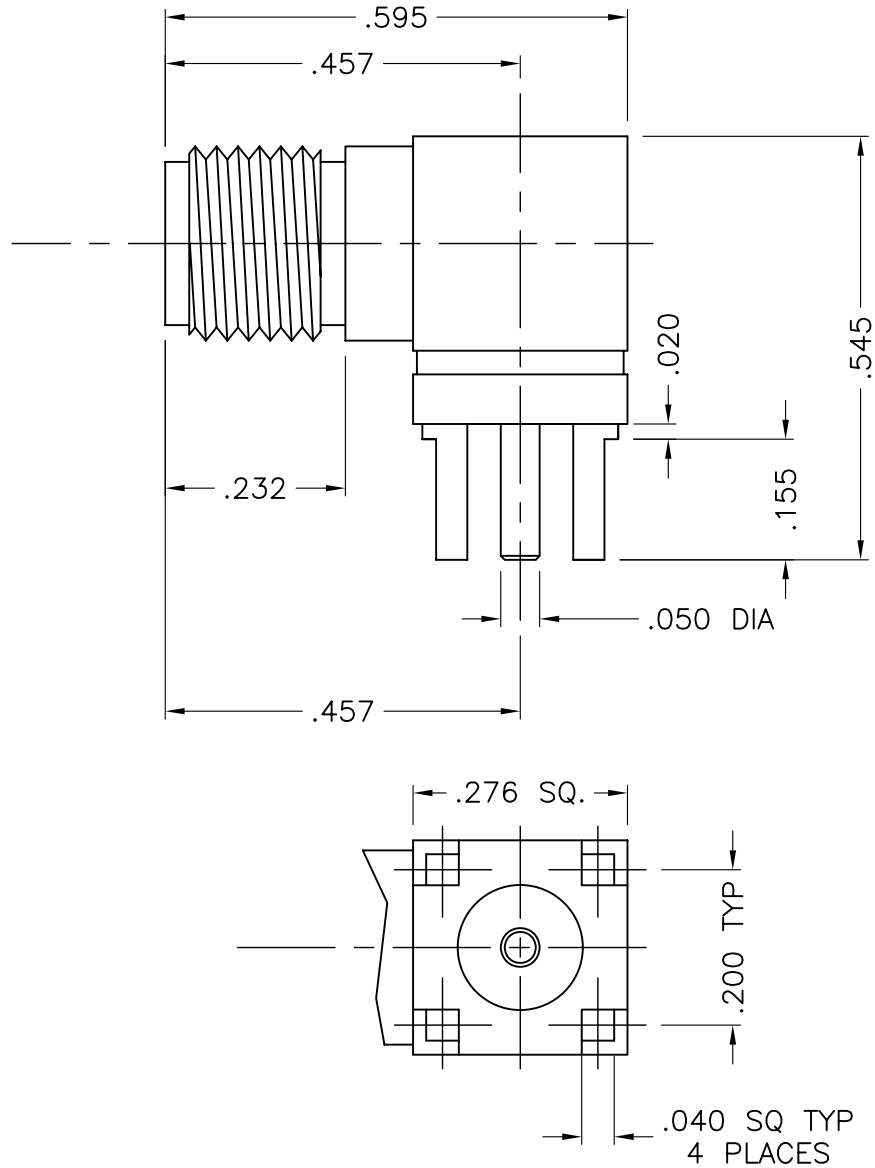
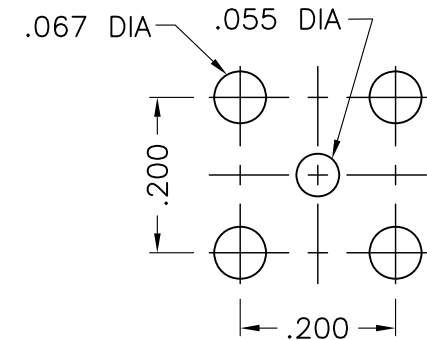


1369-000-G001-500



ELECTRICAL RATINGS

Insulation Resistance	5000 megaohms min.
Contact Resistance	6 Milliohms max.
Center Conductor	2 Milliohms max.
Outer Resistance	
DWV (@ Sea Level)	500 V rms min.
Working Voltage (@ sea level)	170 V rms max.
VSWR	1.5 max.
Frequency Range	0 - 12.4 GHz
Impedance	50 ohm



RECOMMENDED MOUNTING HOLE

NOTES:

1. ASSEMBLED CONNECTOR INTERFACE IS DESIGNED IN ACCORDANCE WITH MIL-STD-348.
2. MATERIAL: BODY - BRASS PER ASTM B16  
CONTACT - BERYLLIUM COPPER PER ASTM B196.  
INSULATORS - TEFLON PER ASTM D1710
3. FINISHES: ALL METAL PARTS - GOLD PLATE PER MIL-G-45204

UNLESS OTHERWISE SPECIFIED: TOLERANCES: 3 PLACES = ±.005, 2 PLACES = ±.02, ANGLES = ±1/2°, SURFACE FINISH = 63

-	OUTLINE	4/7/07
ALT.	REVISIONS	DATE

DELTA ELECTRONICS MFG. CORP. Beverly, MA 01915				
TITLE: 'SMA' PRINTED CIRCUIT BOARD MOUNT RIGHT ANGLE JACK RECEPTACLE				
Drawn by bjm 4/7/07	Scale 4/1	Ckd. by BJM	Engr Appd MR	FILE NAME: 1369000G001-500T
CODE IDENT.-00795		1369-000-G001-500		

THESE DRAWINGS AND SPECIFICATIONS ARE THE PROPERTY OF DELTA ELECTRONICS MFG CORP. AND SHALL NOT BE REPRODUCED, OR COPIED OR USED AS THE BASIS FOR THE MANUFACTURE OR SALE OF APPARATUS OR DEVICES WITHOUT THEIR EXPRESS WRITTEN CONSENT.