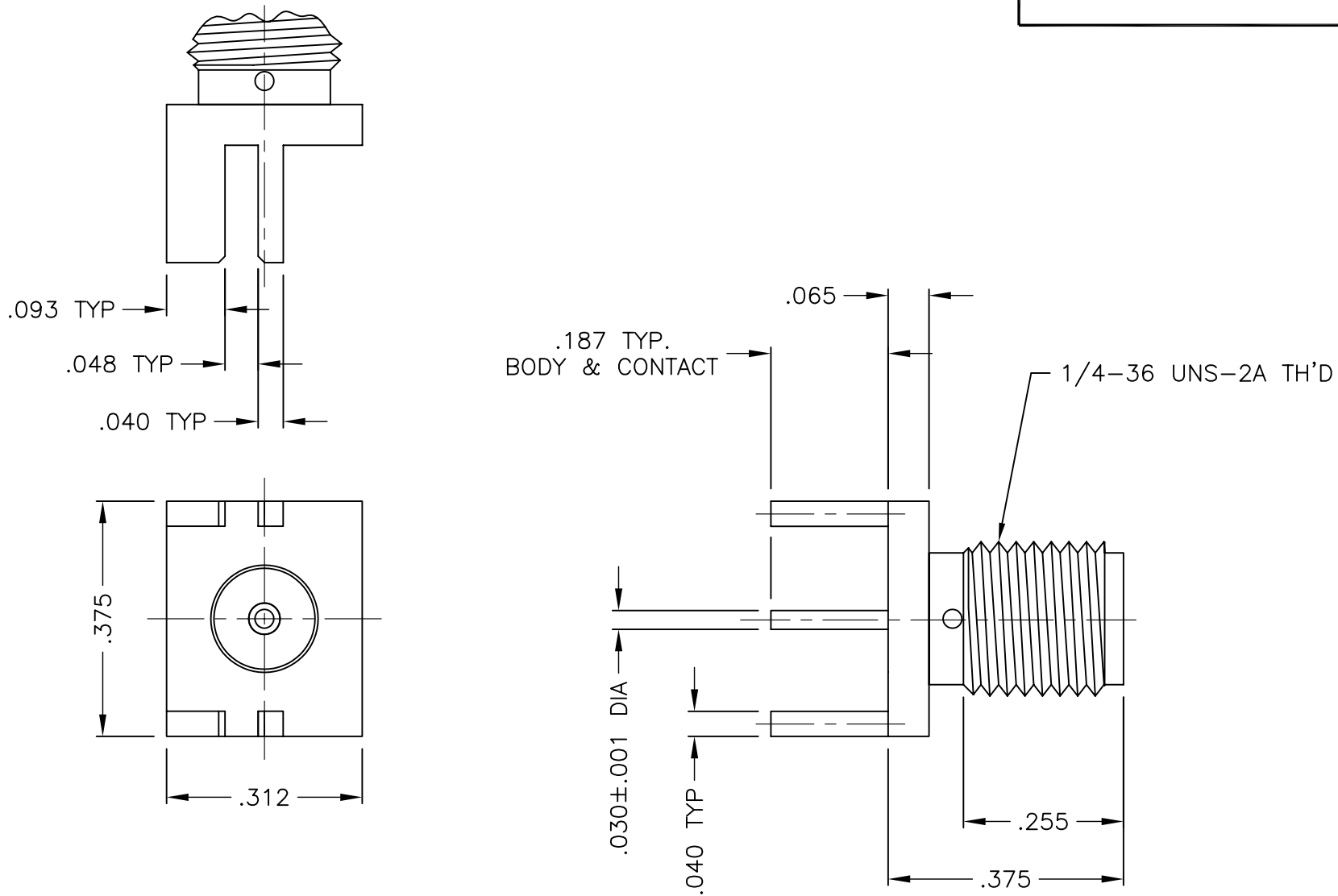




1367-000-G91P-26



- NOTES:**
1. ASSEMBLED CONNECTOR INTERFACE IS DESIGNED IN ACCORDANCE WITH MIL-STD-348.
 2. MATERIAL: BODY - BRASS PER ASTM B16
CONTACT - BERYLLIUM COPPER PER ASTM B196
INSULATOR - TEFLON PER ASTM D1710
 3. FINISHES: ALL METAL PARTS - GOLD PLATE PER MIL-G-45204

UNLESS OTHERWISE SPECIFIED: TOLERANCES: 3 PLACES = ±.005, 2 PLACES = ±.02, ANGLES = ±1/2'

ALT.	REVISIONS	DATE
-	OUTLINE	5/5/06

DELTA ELECTRONICS MFG. CORP. Beverly, MA 01915				
TITLE: 'SMA' END-LAUNCH JACK RECEPTACLE - .042 BOARD THICKNESS / TAB CONTACT				
Drawn by BJM 5/5/06	Scale 4/1	Ckd. by MR	Engr Appd MR	FILE NAME: 1367000G91P-026T

THESE DRAWINGS AND SPECIFICATIONS ARE THE PROPERTY OF DELTA ELECTRONICS MFG CORP. AND SHALL NOT BE REPRODUCED, OR COPIED OR USED AS THE BASIS FOR THE MANUFACTURE OR SALE OF APPARATUS OR DEVICES WITHOUT THEIR EXPRESS WRITTEN CONSENT.

CODE IDENT. -00795 1367-000-G91P-26