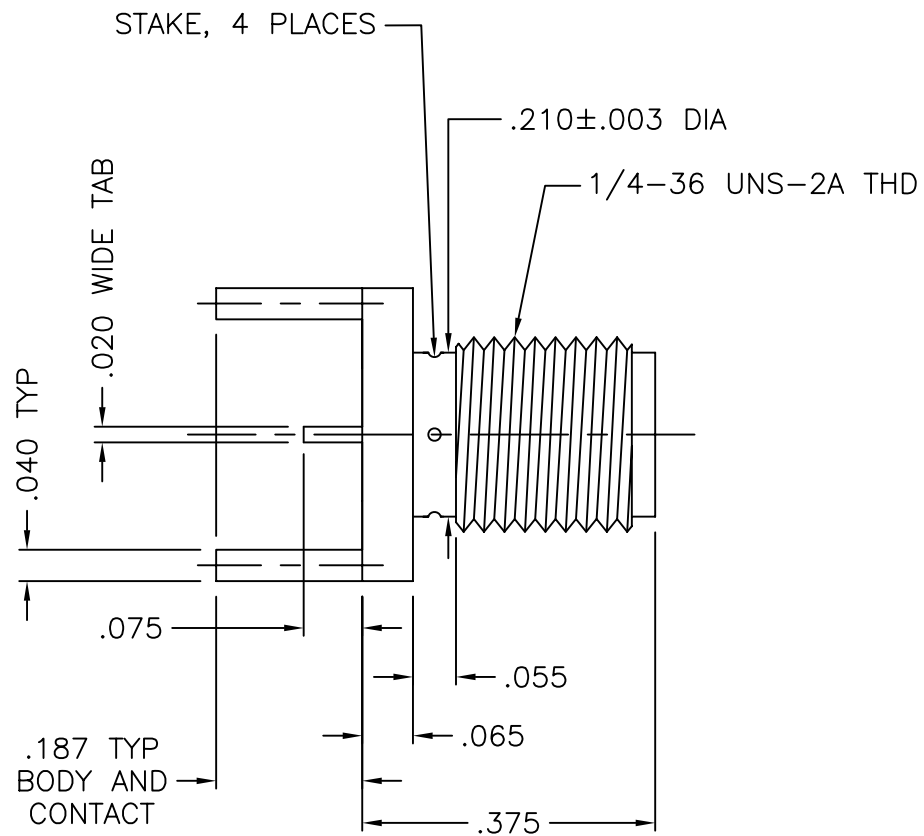
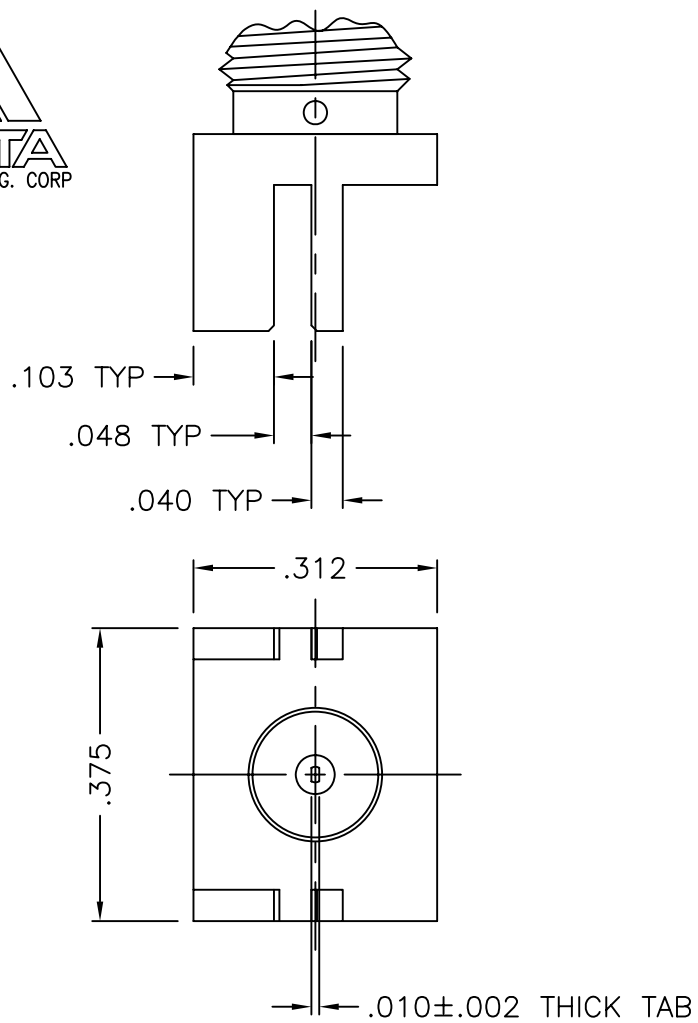




1367-000-G91P-24



NOTES:

1. ASSEMBLED CONNECTOR INTERFACE IS DESIGNED IN ACCORDANCE WITH MIL-STD-348.
2. MATERIAL: BODY - BRASS PER ASTM B16
INSULATOR - TEFLON PER ASTM D1710
CONTACT - BERYLLIUM COPPER PER ASTM B196.
3. FINISHES: ALL METAL PARTS - GOLD PLATE PER MIL-G-45204

UNLESS OTHERWISE SPECIFIED: TOLERANCES: 3 PLACES = ±.005, 2 PLACES = ±.02, ANGLES = ±1/2', SURFACE FINISH = 63

A	REVISED	DATE
-	OUTLINE	5/11/07
ALT.	REVISIONS	DATE

DELTA ELECTRONICS MFG. CORP. Beverly, MA 01915				
TITLE: SMA END LAUNCH P.C.B. JACK RECEPTACLE - TAB CONTACT				
Drawn by DG	Scale 4/1	Ckd. by MR	Engr Appd MR	FILE NAME: 1367000G91P-024T

THESE DRAWINGS AND SPECIFICATIONS ARE THE PROPERTY OF DELTA ELECTRONICS MFG CORP. AND SHALL NOT BE REPRODUCED, OR COPIED OR USED AS THE BASIS FOR THE MANUFACTURE OR SALE OF APPARATUS OR DEVICES WITHOUT THEIR EXPRESS WRITTEN CONSENT.

CODE IDENT.-00795 1367-000-G91P-24