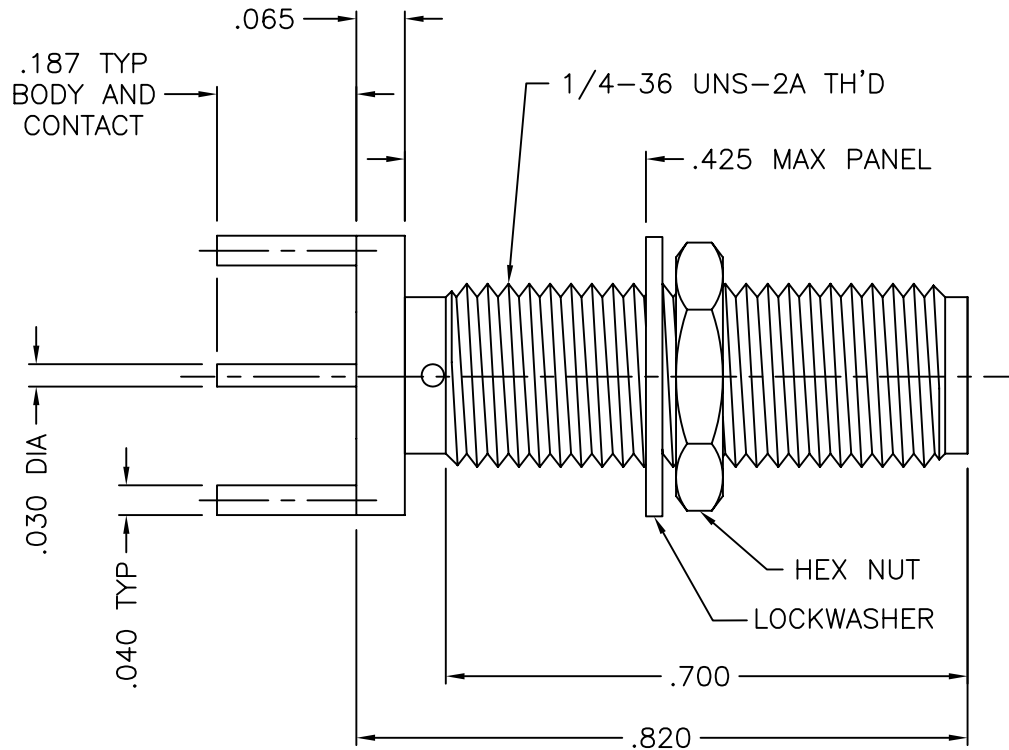
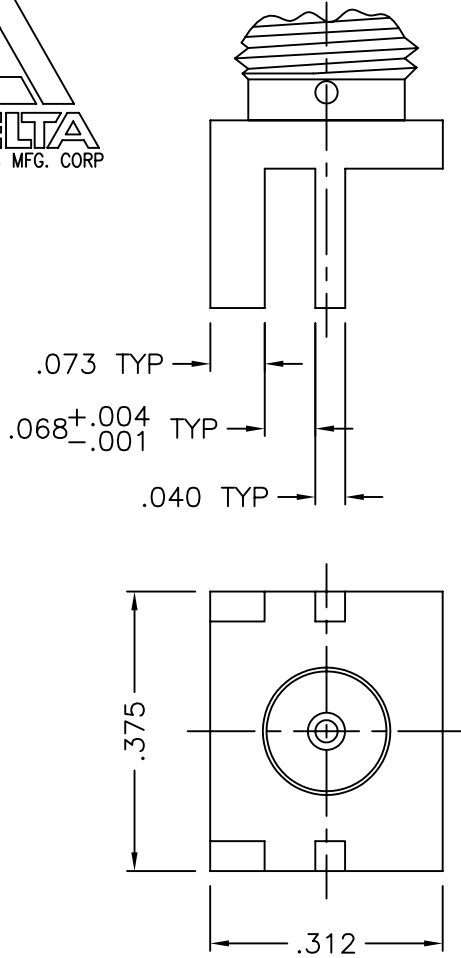




1367-000-G91P-23



NOTES:

1. ASSEMBLED CONNECTOR INTERFACE IS DESIGNED IN ACCORDANCE WITH MIL-STD-348.
2. MATERIAL: BODY & HEX NUT - BRASS PER ASTM B16
 LOCKWASHER - SPRING STEEL
 CONTACT - BERYLLIUM COPPER PER ASTM B196
 INSULATOR - TEFLON PER ASTM D1710
3. FINISHES: ALL METAL PARTS - GOLD PLATE PER MIL-G-45204

UNLESS OTHERWISE SPECIFIED: TOLERANCES: 3 PLACES = ±.005, 2 PLACES = ±.02, ANGLES = ±1/2°, SURFACE FINISH = 63

| | | |
|------|-----------|---------|
| - | OUTLINE | 11/3/06 |
| ALT. | REVISIONS | DATE |

| | | | | | |
|---|--------------|---------------|-----------------|--------------------------------|--|
| DELTA ELECTRONICS MFG. CORP. Beverly, MA 01915 | | | | | |
| TITLE: SMA (F) END-LAUNCH BULKHEAD RECEPTACLE--PLAIN TERMINAL | | | | | |
| Drawn by DG | Scale 4/1 | Ckd. by MR | Engr Appd MR | FILE NAME: 1367000G91P-023T | |
| 11/3/06 | | | | | |

THESE DRAWINGS AND SPECIFICATIONS ARE THE PROPERTY OF DELTA ELECTRONICS MFG CORP. AND SHALL NOT BE REPRODUCED, OR COPIED OR USED AS THE BASIS FOR THE MANUFACTURE OR SALE OF APPARATUS OR DEVICES WITHOUT THEIR EXPRESS WRITTEN CONSENT.

CODE IDENT.-00795

1367-000-G91P-23