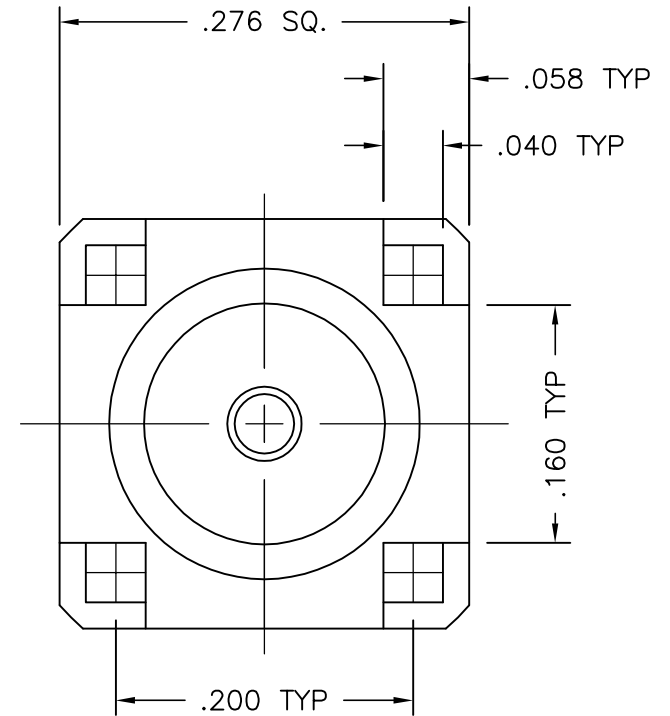
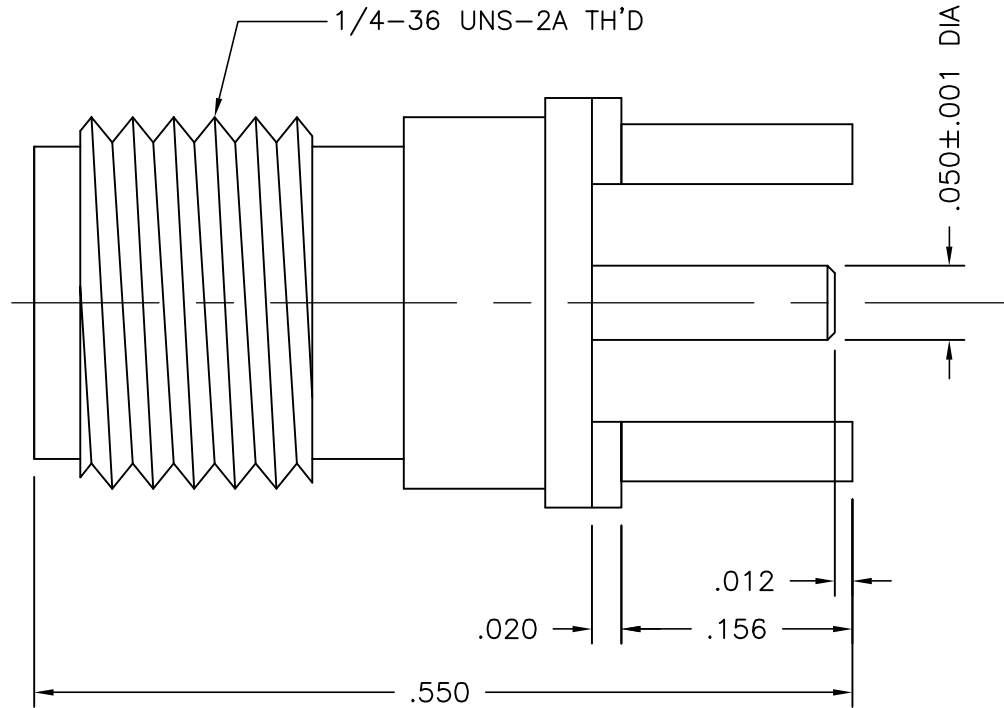


1367-000-G001-500



NOTES:

1. ASSEMBLED CONNECTOR INTERFACE IS DESIGNED IN ACCORDANCE WITH MIL-STD-348.
2. MATERIAL: CONTACT - BERYLLIUM COPPER PER ASTM B196.
INSULATOR - TEFLON PER ASTM D1710
ALL OTHER METAL PARTS - BRASS PER ASTM B16.
3. FINISHES: ALL METAL PARTS - GOLD PLATE PER MIL-G-45204

DELTA ELECTRONICS MFG. CORP. Beverly, MA 01915

TITLE: SMA P.C.B. MOUNT JACK RECEPTACLE
- POST CONTACT

Drawn by BJM 2/18/03	Scale 8/1	Ckd. by	Engr Appd	FILE NAME: 1367000G001-500T
----------------------------	--------------	---------	-----------	--------------------------------

CODE IDENT.-00795 1367-000-G001-500

UNLESS OTHERWISE SPECIFIED: TOLERANCES: 3 PLACES = ±.005, 2 PLACES = ±.02, ANGLES = ±1/2°, SURFACE FINISH = 63

-	OUTLINE	2/18/03
ALT.	REVISIONS	DATE

THESE DRAWINGS AND SPECIFICATIONS ARE THE PROPERTY OF DELTA ELECTRONICS MFG CORP. AND SHALL NOT BE REPRODUCED, OR COPIED OR USED AS THE BASIS FOR THE MANUFACTURE OR SALE OF APPARATUS OR DEVICES WITHOUT THEIR EXPRESS WRITTEN CONSENT.