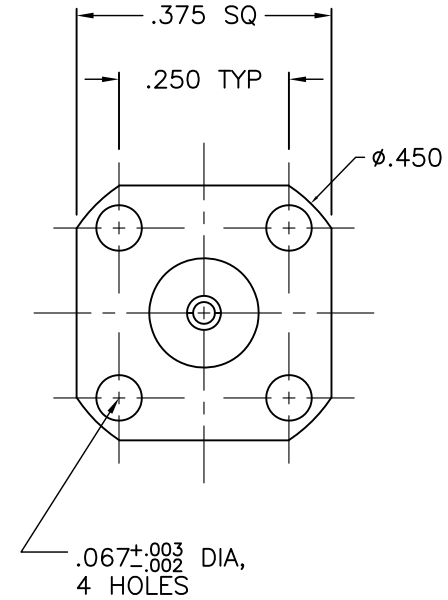
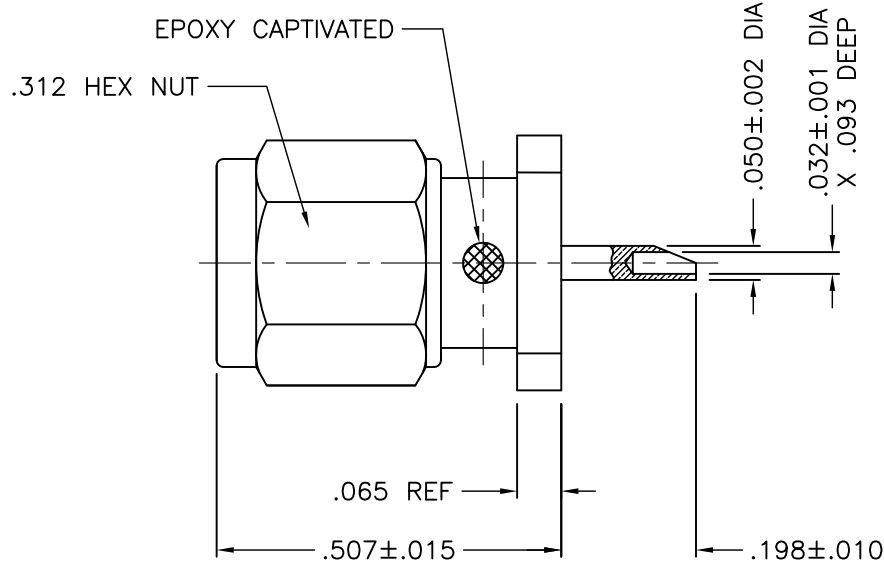




1359000K911-013



**NOTES:**

1. ASSEMBLED CONNECTOR INTERFACE IS DESIGNED IN ACCORDANCE WITH MIL-STD-348.
2. MATERIAL: BODY & COUPLING NUT - CORROSION RESISTANT STEEL PER ASTM A582  
CONTACT - BERYLLIUM COPPER PER ASTM B196  
LOCKING RING - PHOSPHOR BRONZE PER QQ-B-750  
INSULATOR - TEFLON PER ASTM D1710
3. FINISHES: BODY & COUPLING NUT - PASSIVATE PER QQ-P-35  
CONTACT - GOLD PLATE PER MIL-G-45204

DELTA ELECTRONICS MFG. CORP. Beverly, MA 01915				
TITLE: 'SMA' PANEL MOUNTED PLUG RECEPTACLE WITH SOLDER POT CONTACT				
Drawn by JAMES 3/31/11	Scale 4/1	Ckd. by MR	Engr Appd MR	FILE NAME: 1359000K911-013T
CODE IDENT.-00795		1359000K911-013		

-	OUTLINE	3/31/11
ALT.	REVISIONS	DATE

UNLESS OTHERWISE SPECIFIED: TOLERANCES: 3 PLACES = ±.005, 2 PLACES = ±.02, ANGLES = ±1/2', SURFACE FINISH = 63

THESE DRAWINGS AND SPECIFICATIONS ARE THE PROPERTY OF DELTA ELECTRONICS MFG CORP. AND SHALL NOT BE REPRODUCED, OR COPIED OR USED AS THE BASIS FOR THE MANUFACTURE OR SALE OF APPARATUS OR DEVICES WITHOUT THEIR EXPRESS WRITTEN CONSENT.