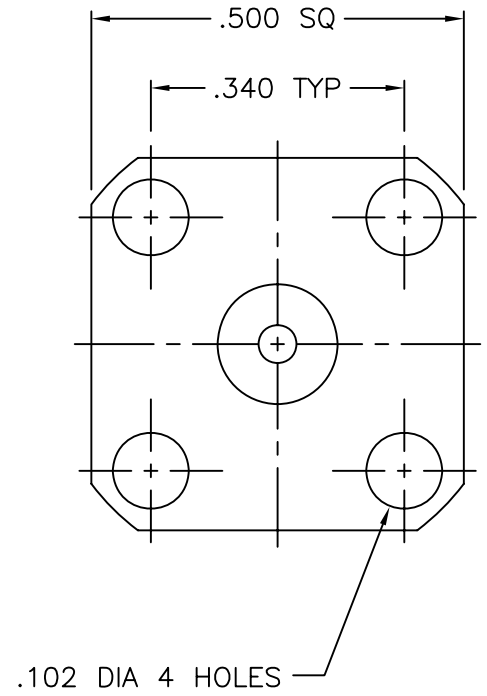
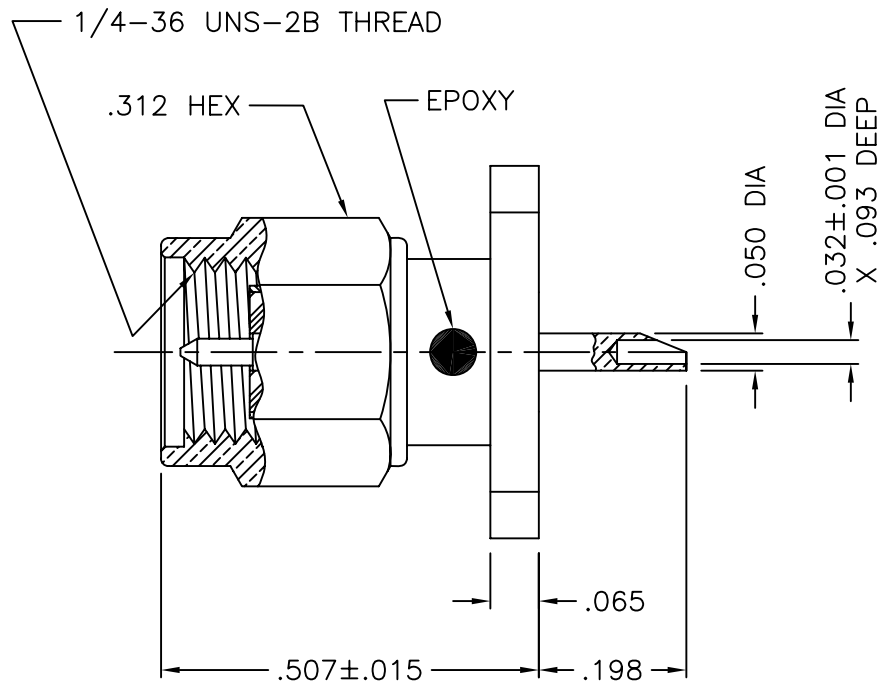


1359-000-K051-10



NOTES:

1. ASSEMBLED CONNECTOR INTERFACE IS DESIGNED IN ACCORDANCE WITH MIL-STD-348.
2. MATERIAL: BODY & COUPLING NUT- CORROSION RESISTANT STEEL PER ASTM A582
CONTACT- BRASS PER ASTM B16.
GASKET- SILICONE RUBBER PER ZZ-R-765
INSULATOR- TEFLON PER ASTM D1710
3. FINISHES: BODY & COUPLING NUT- PASSIVATE PER QQ-P-35
CONTACT- GOLD PLATE PER MIL-G-45204

-	OUTLINE	3/26/08
ALT.	REVISIONS	DATE

UNLESS OTHERWISE SPECIFIED: TOLERANCES: 3 PLACES = ±.005, 2 PLACES = ±.02, ANGLES = ±1/2°, SURFACE FINISH = 63

DELTA ELECTRONICS MFG. CORP. Beverly, MA 01915					
TITLE: 'SMA' PANEL MOUNT PLUG RECEPTACLE - SOLDER POT CONTACT					
Drawn by BJM 3/26/08	Scale 4/1	Ckd. by MR	Engr Appd MR	FILE NAME: 1359000K051-010T	
CODE IDENT.-00795			1359-000-K051-10		

THESE DRAWINGS AND SPECIFICATIONS ARE THE PROPERTY OF DELTA ELECTRONICS MFG CORP. AND SHALL NOT BE REPRODUCED, OR COPIED OR USED AS THE BASIS FOR THE MANUFACTURE OR SALE OF APPARATUS OR DEVICES WITHOUT THEIR EXPRESS WRITTEN CONSENT.