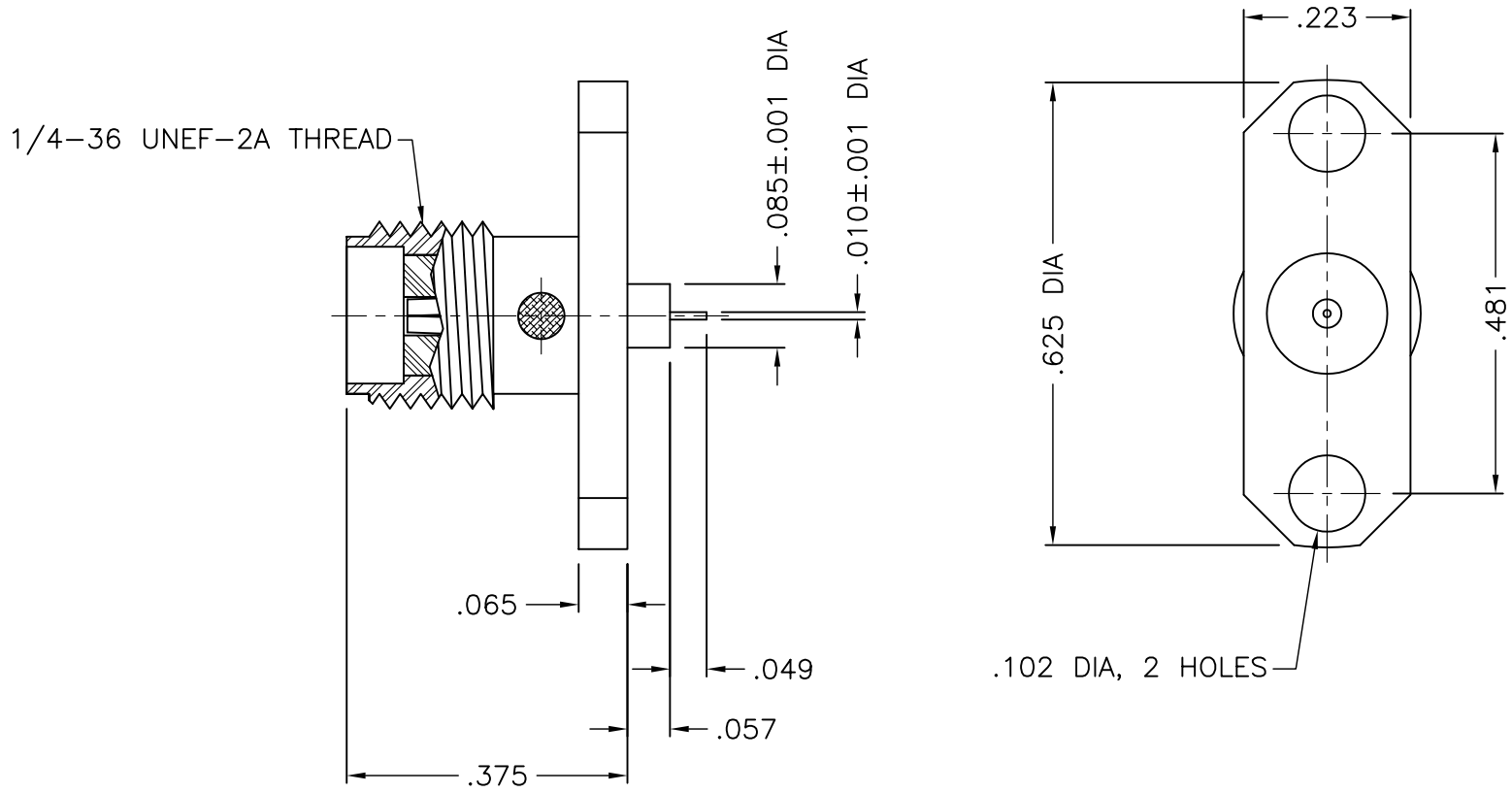




1358-000-K051-35



**NOTES:**

1. ASSEMBLED CONNECTOR INTERFACE IS DESIGNED IN ACCORDANCE WITH MIL-STD-348.
2. MATERIAL: BODY - CORROSION RESISTANT STEEL PER ASTM A582  
CONTACT - BERYLLIUM COPPER PER ASTM B196.  
INSULATOR - TEFLON PER ASTM D1710
3. FINISHES: BODY - PASSIVATE PER QQ-P-35  
CONTACT - GOLD PLATE PER MIL-G-45204

UNLESS OTHERWISE SPECIFIED: TOLERANCES: 3 PLACES = ±.005, 2 PLACES = ±.02, ANGLES = ±1/2°, SURFACE FINISH = 63

-	OUTLINE	5/17/04
ALT.	REVISIONS	DATE

DELTA ELECTRONICS MFG. CORP. Beverly, MA 01915				
TITLE: 'SMA' PANEL MOUNT JACK RECEPTACLE EXTENDED INSULATOR, EPOXY CAPTIVE POST CONTACT				
Drawn by BJM 5/17/04	Scale 4/1	Ckd. by MR	Engr Appd MR	FILE NAME: 1358000K051-035T
CODE IDENT. -00795		1358-000-K051-35		

THESE DRAWINGS AND SPECIFICATIONS ARE THE PROPERTY OF DELTA ELECTRONICS MFG CORP. AND SHALL NOT BE REPRODUCED, OR COPIED OR USED AS THE BASIS FOR THE MANUFACTURE OR SALE OF APPARATUS OR DEVICES WITHOUT THEIR EXPRESS WRITTEN CONSENT.