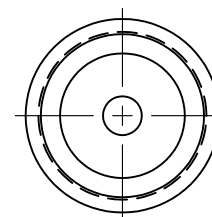
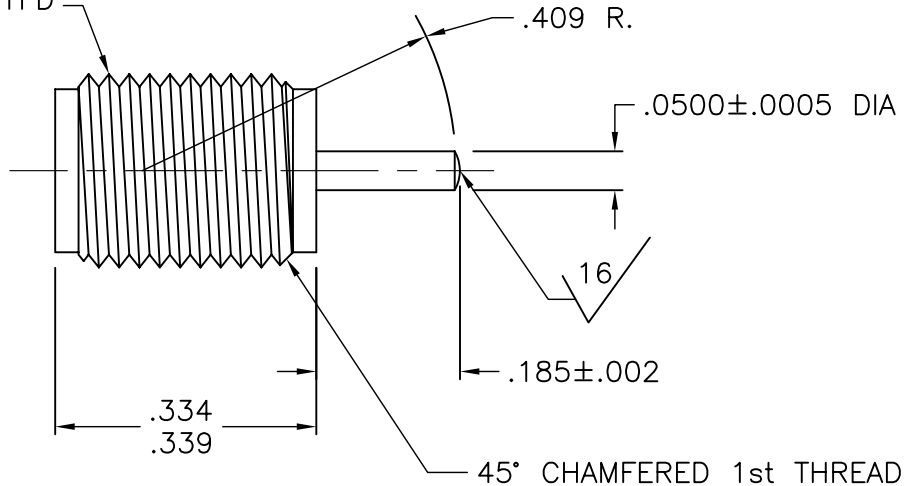




1321-000-K821-900

1/4-36 UNEF-2A TH'D



NOTES:

1. ASSEMBLED CONNECTOR INTERFACE IS DESIGNED IN ACCORDANCE WITH MIL-STD-348.
2. MATERIAL: BODY & METAL CONTACT RING - CORROSION RESISTANT STEEL PER ASTM A582
CONTACT - BERYLLIUM COPPER PER ASTM B196.
INSULATOR - TEFLON PER ASTM D1710
3. FINISHES: BODY - PASSIVATE PER QQ-P-35
GOLD PLATE PER MIL-G-42504
4. ELECTRICAL DATA:
FREQUENCY: DC TO 27.0 GHz
SWR: 1.20:1 MAX

DELTA ELECTRONICS MFG. CORP. Beverly, MA 01915				
TITLE: SMA "HIGH FREQUENCY" BULKHEAD MOUNT JACK RECEPTACLE - PROBE CONTACT				
Drawn by BJM 10/17/03	Scale 4/1	Ckd. by MR	Engr Appd MR	FILE NAME: 1358000K821-900T
CODE IDENT.-00795		1321-000-K821-900		

A	REVISED	DATE
-	OUTLINE	10/17/03
ALT.	REVISIONS	DATE

UNLESS OTHERWISE SPECIFIED: TOLERANCES: 3 PLACES = ±.005, 2 PLACES = ±.02, ANGLES = ±1/2'. SURFACE FINISH = 63

THESE DRAWINGS AND SPECIFICATIONS ARE THE PROPERTY OF DELTA ELECTRONICS MFG CORP. AND SHALL NOT BE REPRODUCED, OR COPIED OR USED AS THE BASIS FOR THE MANUFACTURE OR SALE OF APPARATUS OR DEVICES WITHOUT THEIR EXPRESS WRITTEN CONSENT.