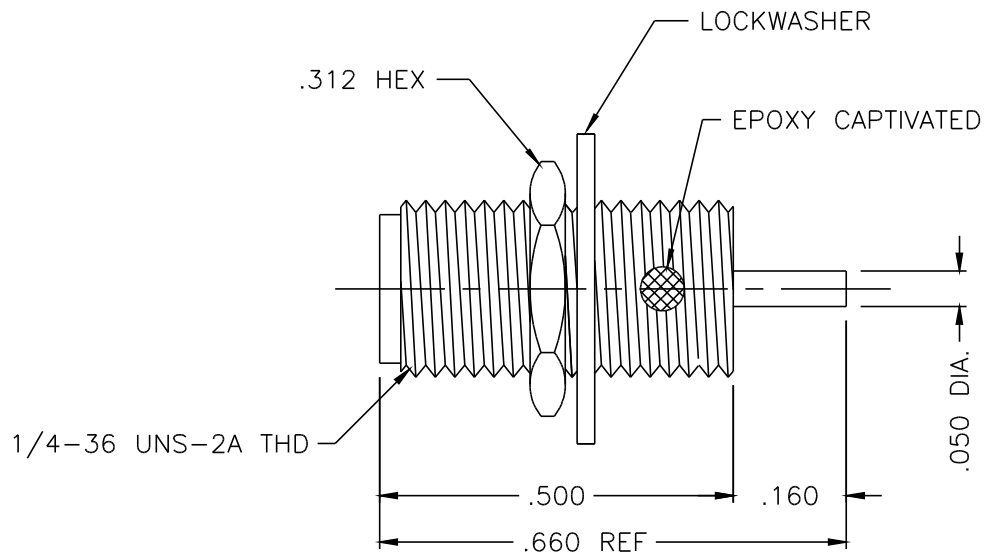




1321-000-K821-65



NOTES:

1. ASSEMBLED CONNECTOR INTERFACE IS DESIGNED IN ACCORDANCE WITH MIL-STD-348.
2. MATERIAL: BODY, LOCKWASHER & HEX NUT- CORROSION RESISTANT STEEL PER ASTM A582
CONTACT - BERYLLIUM COPPER PER ASTM B196.
INSULATOR - TEFLON PER ASTM D1710
3. FINISHES: CONTACT - GOLD PLATE PER MIL-G-45204
ALL OTHER METAL PARTS - PASSIVATE PER QQ-P-35

DELTA ELECTRONICS MFG. CORP. Beverly, MA 01915					
TITLE: "SMA" BULKHEAD JACK RECEPTACLE					
Drawn by BJM 10/17/2001	Scale 4/1	Ckd. by	Engr Appd	FILE NAME: 1321000K821-065T	
CODE IDENT.-00795		1321-000-K821-65			

UNLESS OTHERWISE SPECIFIED: TOLERANCES: 3 PLACES = ±.005, 2 PLACES = ±.02, ANGLES = ±1/2°, SURFACE FINISH = 63

-	OUTLINE	10/17/2001
ALT.	REVISIONS	DATE

THESE DRAWINGS AND SPECIFICATIONS ARE THE PROPERTY OF DELTA ELECTRONICS MFG CORP. AND SHALL NOT BE REPRODUCED, OR COPIED OR USED AS THE BASIS FOR THE MANUFACTURE OR SALE OF APPARATUS OR DEVICES WITHOUT THEIR EXPRESS WRITTEN CONSENT.