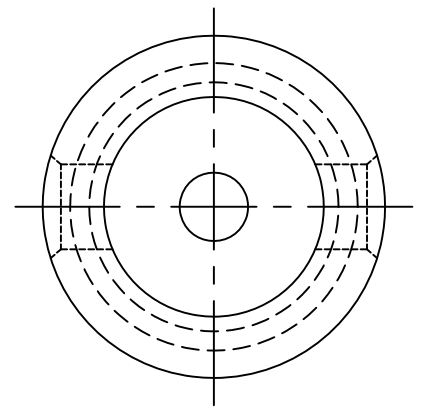
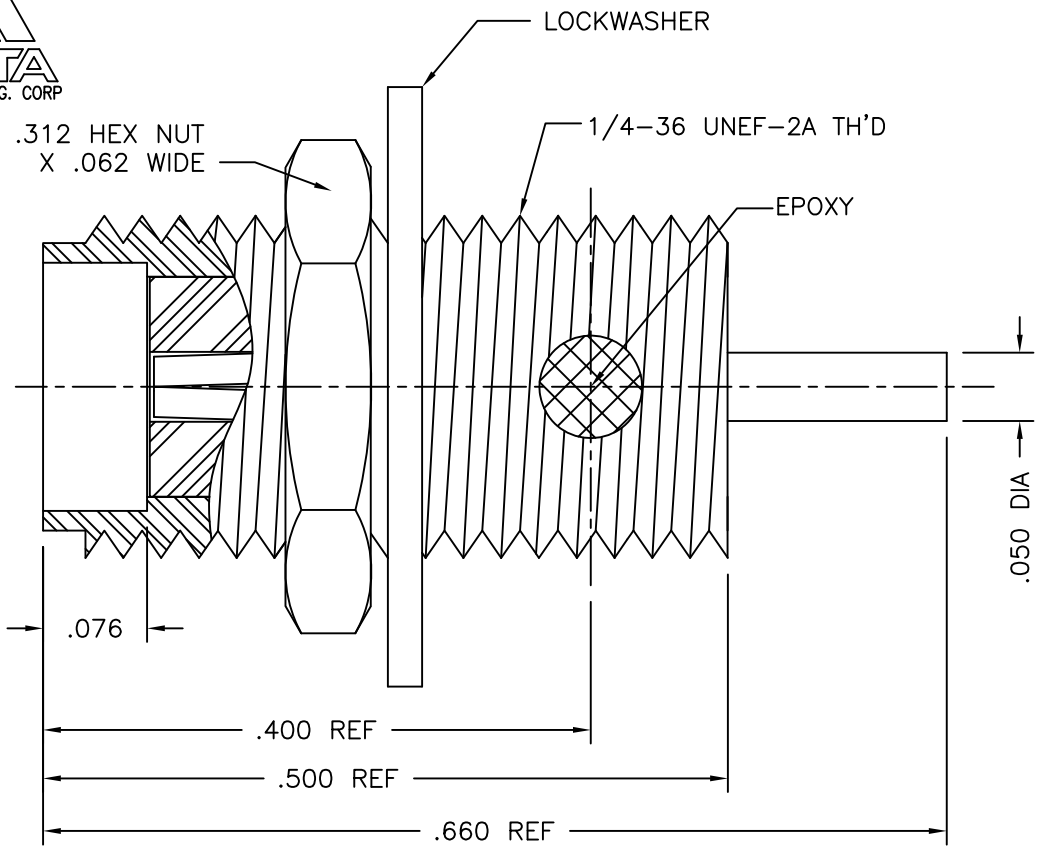




1321000G821-065



HEX NUT & WASHER REMOVED

NOTES:

1. ASSEMBLED CONNECTOR INTERFACE IS DESIGNED IN ACCORDANCE WITH MIL-STD-348.
2. MATERIAL: BODY HEX NUT & LOCKWASHER - CORROSION RESISTANT STEEL PER ASTM A582
CONTACT - BERYLLIUM COPPER PER ASTM B196.
INSULATOR - TEFLON PER ASTM D1710
3. FINISHES: ALL METAL PARTS - GOLD PLATE PER MIL-G-45204

-	OUTLINE	11/10/11
ALT.	REVISIONS	DATE

UNLESS OTHERWISE SPECIFIED: TOLERANCES: 3 PLACES = ±.005, 2 PLACES = ±.02, ANGLES = ±1/2°, SURFACE FINISH = 63

DELTA ELECTRONICS MFG. CORP. Beverly, MA 01915				
TITLE: "SMA" BULKHEAD JACK RECEPTACLE POST CONTACT				
Drawn by JAMES	Scale 8/1	Ckd. by BJM	Engr Appd MR	FILE NAME: 1321000G821-065T
11/10/11				

THESE DRAWINGS AND SPECIFICATIONS ARE THE PROPERTY OF DELTA ELECTRONICS MFG CORP. AND SHALL NOT BE REPRODUCED, OR COPIED OR USED AS THE BASIS FOR THE MANUFACTURE OR SALE OF APPARATUS OR DEVICES WITHOUT THEIR EXPRESS WRITTEN CONSENT.

CODE IDENT.-00795 1321000G821-065