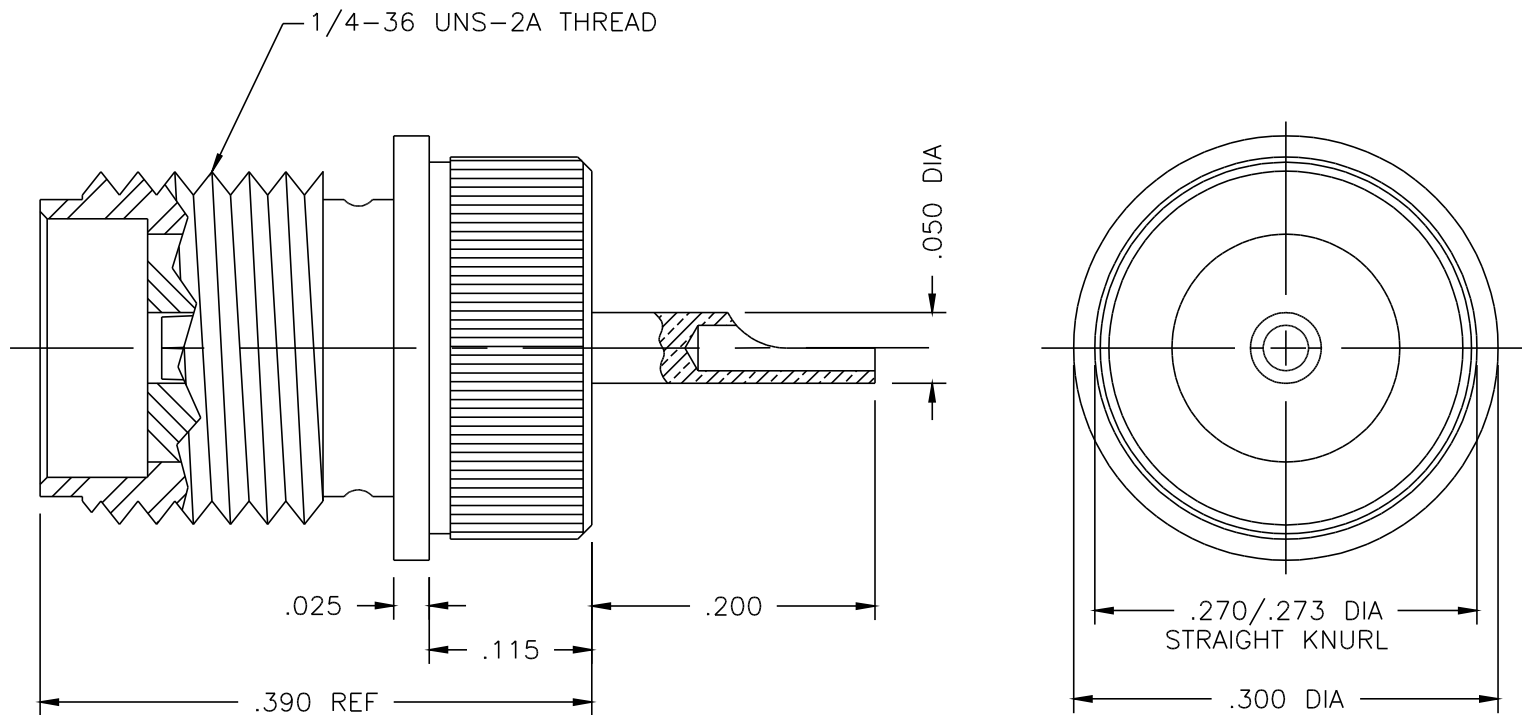




1320-000-K911-4



NOTES:

1. ASSEMBLED CONNECTOR INTERFACE IS DESIGNED IN ACCORDANCE WITH MIL-STD-348.
2. MATERIAL: BODY - CORROSION RESISTANT STEEL PER ASTM A582  
CONTACT - BERYLLIUM COPPER PER ASTM B196.  
INSULATOR - TEFLON PER ASTM D1710
3. FINISHES: BODY - PASSIVATE PER QQ-P-35  
CONTACT - GOLD PLATE PER MIL-G-45204

DELTA ELECTRONICS MFG. CORP. Beverly, MA 01915					
TITLE: 'SMA' PRESSMOUNT JACK RECEPTACLE					
Drawn by BJM 12/2/99	Scale 8/1	Ckd. by	Engr Appd	FILE NAME: 1320000K911-004T	
CODE IDENT.-00795		1320-000-K911-4			

UNLESS OTHERWISE SPECIFIED: TOLERANCES: 3 PLACES = ±.005, 2 PLACES = ±.02, ANGLES = ±1/2°

-	OUTLINE	12/2/99
ALT.	REVISIONS	DATE

THESE DRAWINGS AND SPECIFICATIONS ARE THE PROPERTY OF DELTA ELECTRONICS MFG CORP. AND SHALL NOT BE REPRODUCED, OR COPIED OR USED AS THE BASIS FOR THE MANUFACTURE OR SALE OF APPARATUS OR DEVICES WITHOUT THEIR EXPRESS WRITTEN CONSENT.