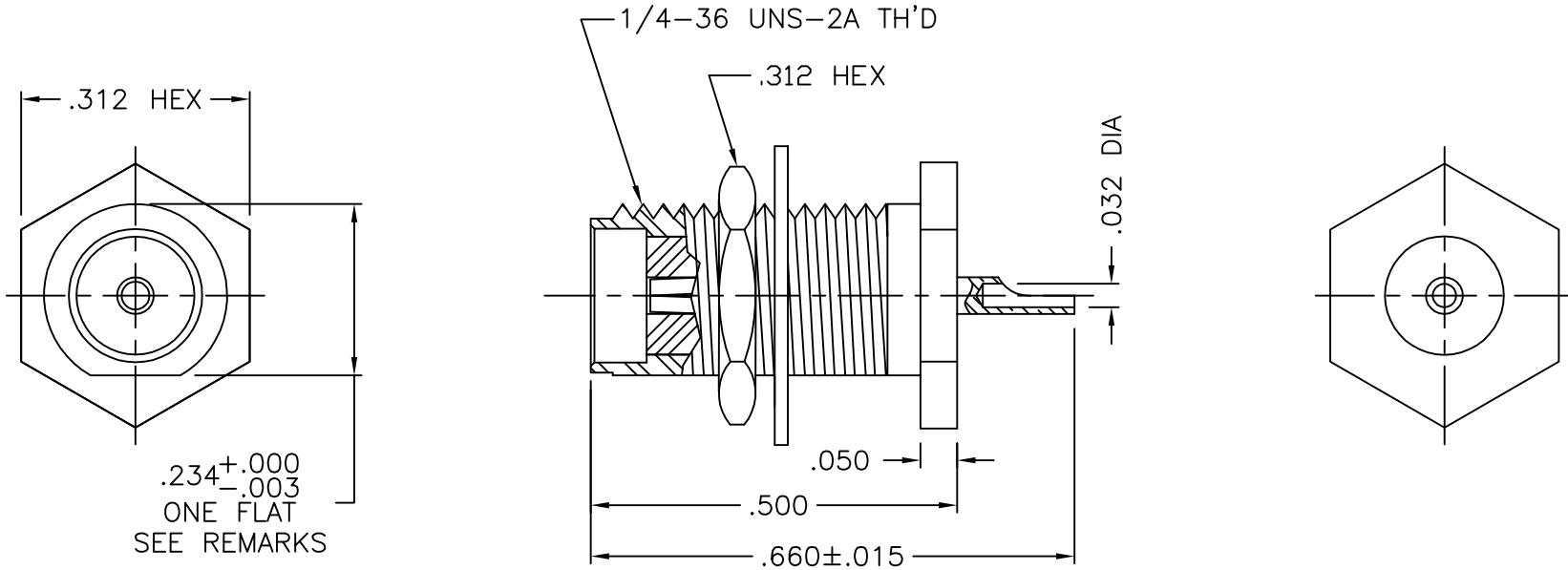




1320000K671-000



NOTES:

1. ASSEMBLED CONNECTOR INTERFACE IS DESIGNED IN ACCORDANCE WITH MIL-STD-348.
2. MATERIAL: BODY & HEX NUT - CORROSION RESISTANT STEEL PER ASTM A582
 LOCKWASHER - SPRING STEEL
 CONTACT - BERYLLIUM COPPER PER ASTM B196.
 INSULATORS - TEFLON PER ASTM D1710
3. FINISHES: BODY, HEX NUT & LOCKWASHER - PASSIVATE PER QQ-P-35
 CONTACT - GOLD PLATE PER MIL-G-45204

DELTA ELECTRONICS MFG. CORP. Beverly, MA 01915					
TITLE: 'SMA' (F) BULKHEAD MOUNT RECEPTACLE W/ SOLDER POT CONTACT					
Drawn by ADK	Scale 4/1	Ckd. by	Engr Appd	FILE NAME: 1320000K671-000T	
1/14/14					
CODE IDENT: -00795			1320000K671-000		

UNLESS OTHERWISE SPECIFIED: TOLERANCES: 3 PLACES = ± 0.05 , 2 PLACES = ± 0.02 , ANGLES = $\pm 1/2^\circ$

ALT.	REVISIONS	DATE
-	OUTLINE	1/14/14

THESE DRAWINGS AND SPECIFICATIONS ARE THE PROPERTY OF DELTA ELECTRONICS MFG CORP. AND SHALL NOT BE REPRODUCED, OR COPIED OR USED AS THE BASIS FOR THE MANUFACTURE OR SALE OF APPARATUS OR DEVICES WITHOUT THEIR EXPRESS WRITTEN CONSENT.