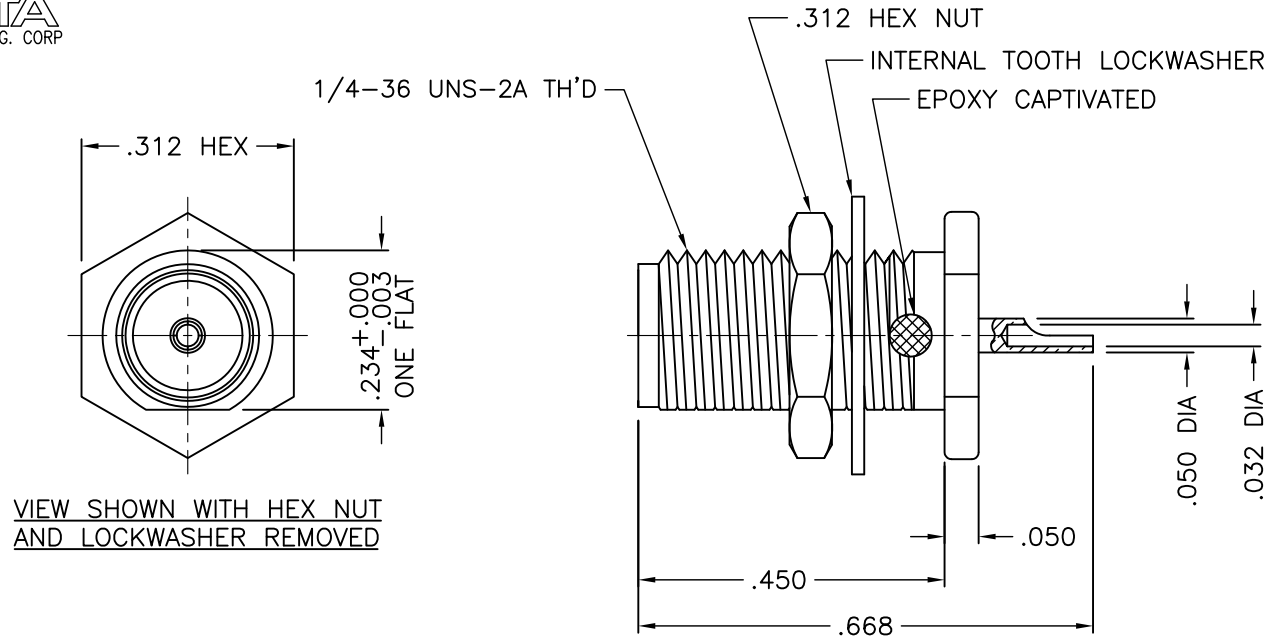




1320-000-G821-2



NOTES:

1. ASSEMBLED CONNECTOR INTERFACE IS DESIGNED IN ACCORDANCE WITH MIL-STD-348
2. MATERIAL: BODY, HEX NUT & LOCKWASHER - CORROSION RESISTANT STEEL PER ASTM A582
CONTACT - BERYLLIUM COPPER PER ASTM B196.
INSULATOR - TEFLON PER ASTM D4894
3. FINISHES: ALL METAL PARTS - GOLD PLATE PER ASTM B488

DELTA ELECTRONICS MFG. CORP. Beverly, MA 01915					
TITLE: SMA BULKHEAD JACK RECEPTACLE - SOLDER POT CONTACT					
Drawn by BJM 9/12/09	Scale 8/1	Ckd. by MR	Engr Appd MR	FILE NAME: 1320000G821-002T	
CODE IDENT.-00795		1320-000-G821-2			

-	OUTLINE	9/12/09
UNLESS OTHERWISE SPECIFIED: TOLERANCES: 3 PLACES = ±.005, 2 PLACES = ±.02, ANGLES = ±1/2', SURFACE FINISH = 63	ALT. REVISIONS	DATE

THESE DRAWINGS AND SPECIFICATIONS ARE THE PROPERTY OF DELTA ELECTRONICS MFG CORP. AND SHALL NOT BE REPRODUCED, OR COPIED OR USED AS THE BASIS FOR THE MANUFACTURE OR SALE OF APPARATUS OR DEVICES WITHOUT THEIR EXPRESS WRITTEN CONSENT.