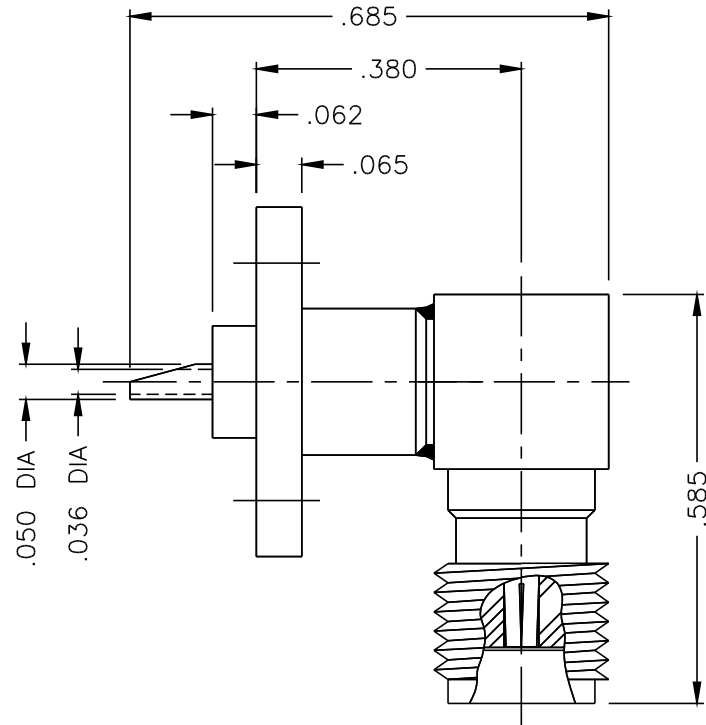
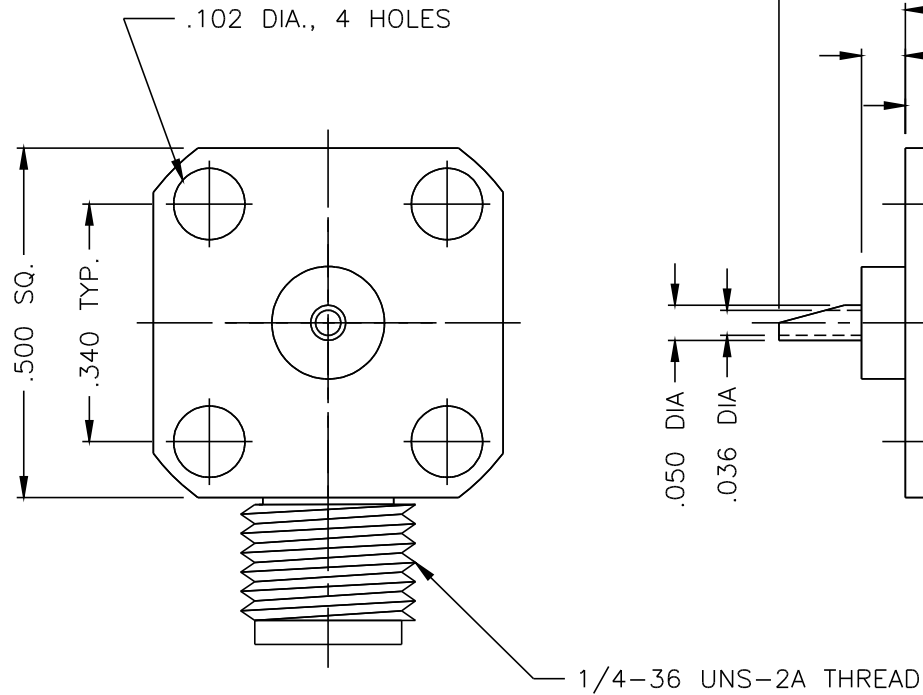




1315-000-G050



NOTES:

1. ASSEMBLED CONNECTOR INTERFACE IS DESIGNED IN ACCORDANCE WITH MIL-STD-348.
2. MATERIAL: BODY - CORROSION RESISTANT STEEL PER ASTM A582.
CONTACTS - BERYLLIUM COPPER PER ASTM B196.
INSULATOR - TEFLON PER ASTM D1710
3. FINISHES: BODY & CONTACTS - GOLD PLATE PER MIL-G-45204.

ALL DIMENSIONS ARE FOR REFERENCE ONLY

DELTA ELECTRONICS MFG. CORP. Beverly, MA 01915

TITLE:

"SMA" (F) RIGHT ANGLE PANEL RECEPTACLE

| | | | | |
|----------------------------|--------------|---------|-----------|--------------------------------|
| Drawn by nct 6-10-96 | Scale 4/1 | Ckd. by | Engr Appd | FILE NAME: 1315000G050-000T |
|----------------------------|--------------|---------|-----------|--------------------------------|

UNLESS OTHERWISE SPECIFIED: TOLERANCES: 3 PLACES = ±.005, 2 PLACES = ±.02, ANGLES = ±1/2°

| ALT. | REVISIONS | DATE |
|------|-----------|---------|
| - | OUTLINE | 6-10-96 |

THESE DRAWINGS AND SPECIFICATIONS ARE THE PROPERTY OF DELTA ELECTRONICS MFG CORP. AND SHALL NOT BE REPRODUCED, OR COPIED OR USED AS THE BASIS FOR THE MANUFACTURE OR SALE OF APPARATUS OR DEVICES WITHOUT THEIR EXPRESS WRITTEN CONSENT.

CODE IDENT.-00795

1315-000-G050