

1258-000-N181-9



Ø.125
4 HOLES

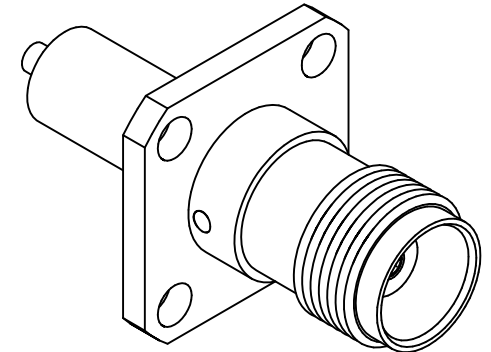
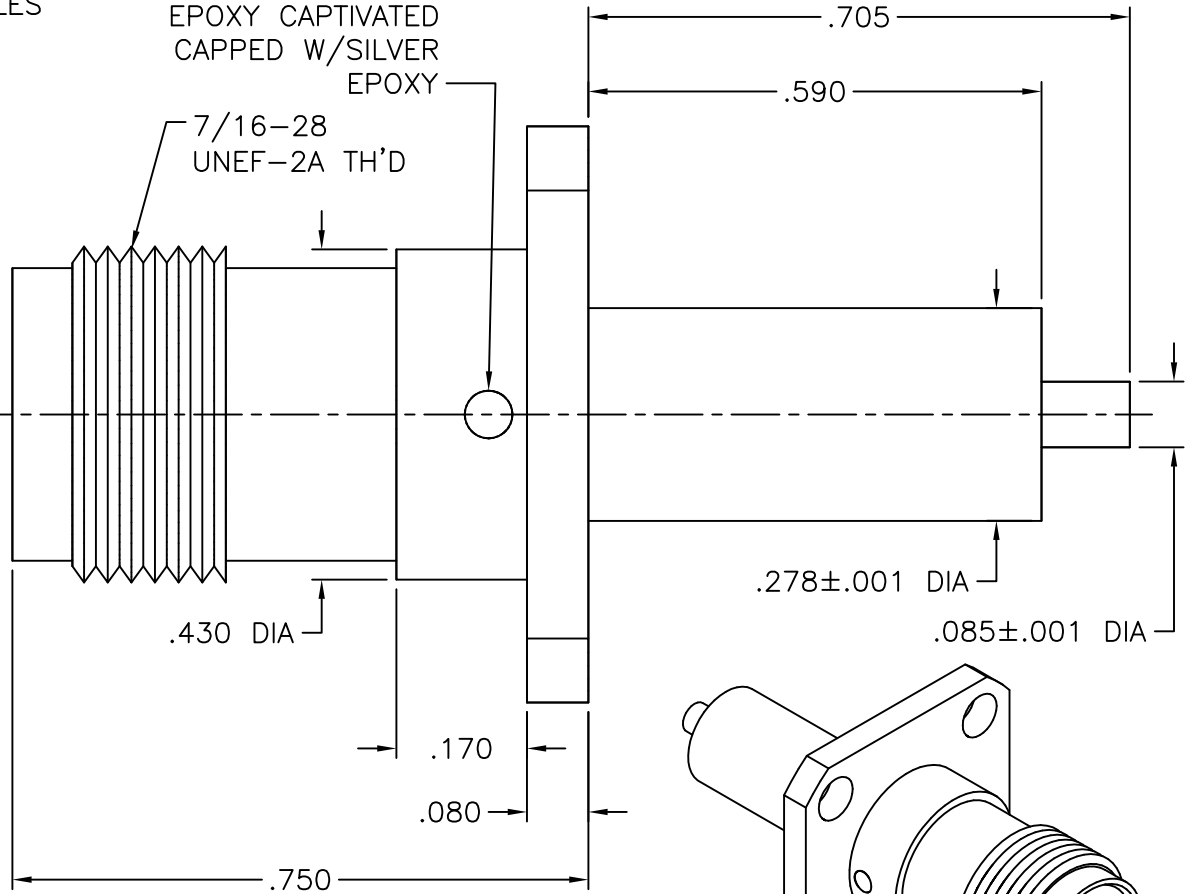
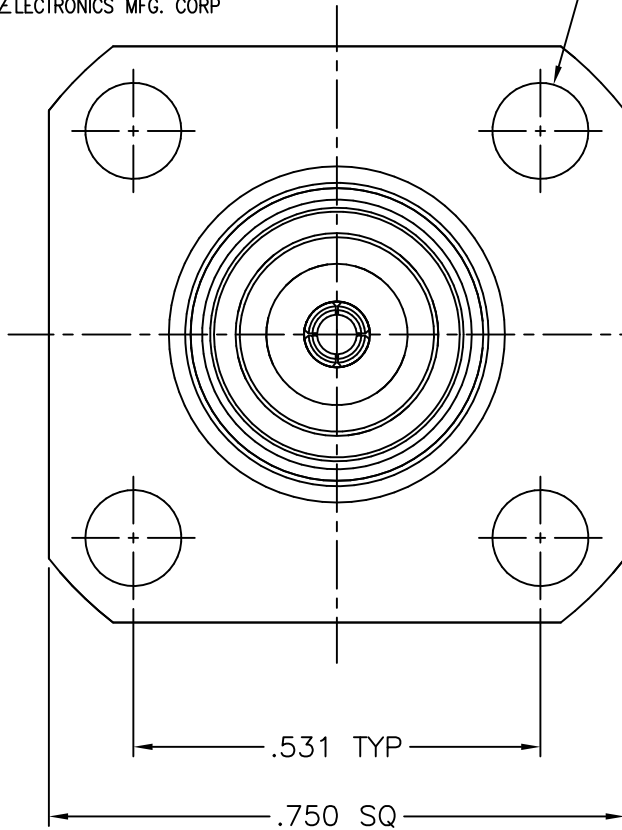
EPOXY CAPTIVATED
CAPPED W/SILVER
EPOXY

7/16-28
UNEF-2A TH'D

.430 DIA

.278±.001 DIA

.085±.001 DIA



ISOMETRIC VIEW

SCALE 2/1

NOTES:

1. ASSEMBLED CONNECTOR INTERFACE IS IN ACCORDANCE WITH MIL-STD-348.
2. MATERIALS: BODY- BRASS PER ASTM B16
CONTACT- BERYLLIUM COPPER PER ASTM B196
INSULATOR- TEFLON PER ASTM D4894
3. FINISH: BODY- NICKEL PLATE PER SAE-AMS-QQ-N-290
CONTACT- GOLD PLATE PER ASTM B488

UNLESS OTHERWISE SPECIFIED: TOLERANCES: 3 PLACES = ±.005, 2 PLACES = ±.02, ANGLES = ±1/2', SURFACE FINISH = 63

A	REVISED	DATE
-	OUTLINE	5/16/08
ALT.	REVISIONS	DATE

DELTA ELECTRONICS MFG. CORP. Beverly, MA 01915

TITLE: 'TNC' PANEL MOUNT JACK RECEPTACLE

Drawn by BJM 5/16/08	Scale 4/1	Ckd. by MR	Engr Appd MR	FILE NAME: 1258000N181-009T
----------------------------	--------------	---------------	-----------------	--------------------------------

CODE IDENT.-00795

1258-000-N181-9

THESE DRAWINGS AND SPECIFICATIONS ARE THE PROPERTY OF DELTA ELECTRONICS MFG CORP. AND SHALL NOT BE REPRODUCED, OR COPIED OR USED AS THE BASIS FOR THE MANUFACTURE OR SALE OF APPARATUS OR DEVICES WITHOUT THEIR EXPRESS WRITTEN CONSENT.