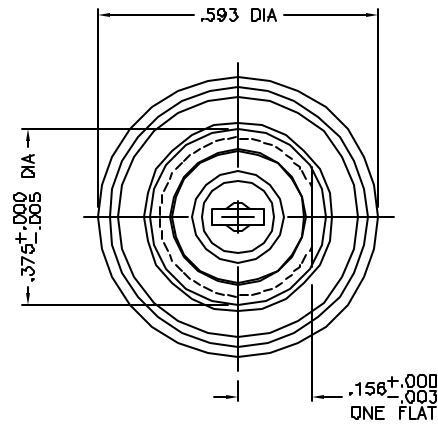
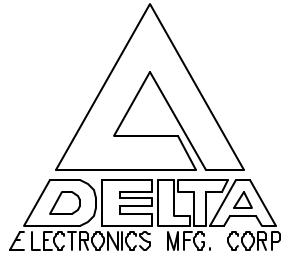
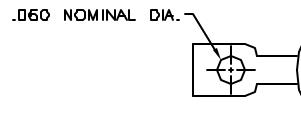
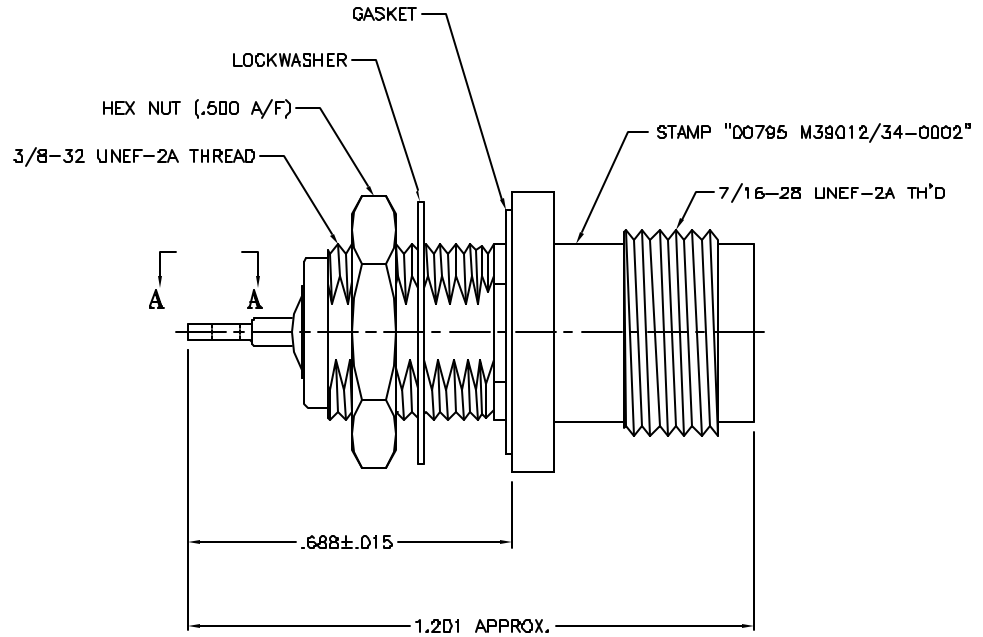


1247-000-A65F



VIEW SHOWN WITH HEX. NUT
& LOCKWASHER REMOVED



VIEW A-A

NOTES:

1. ASSEMBLED CONNECTOR INTERFACE IS DESIGNED IN ACCORDANCE WITH MIL-STD-348.
2. MATERIAL: BODY & HEX NUT - BRASS PER ASTM B16
LOCKWASHER - SPRING STEEL
CONTACT - BERYLLIUM COPPER PER ASTM B108.
BUSHING - BRASS PER ASTM B16.
GASKET - SILICONE RUBBER PER ZZ-R-785
INSULATOR - TEFLON PER ASTM D1710
3. FINISHES: CONTACT - GOLD PLATE PER MIL-G-452D4
ALL OTHER METAL PARTS - SILVER PLATE PER QQ-S-366
4. LEAKAGE SHALL NOT EXCEED 1×10^{-8} C.C./SEC. OF TRACER GAS ATMOSPHERIC PRESSURE WHEN MOUNTED IN MOUNTING HOLE SPECIFIED IN MIL-C-39012/34-0002, FIG. 1.
5. CONNECTOR SHALL PASS A HIGH POTENTIAL VOLTAGE TEST OF 1500 V RMS FOR 60 SECONDS.

M39012/34-0002

DELTA ELECTRONICS MFG. CORP. Beverly, WA D1915				
TITLE: 'TNC' STRAIGHT BULKHEAD JACK RECEPTACLE-FRONT MOUNT, HERMETIC SEALED				
MATERIAL: SEE NOTE 2				
FINISH: SEE NOTE 3				
Drawn by STM	Scale 4/1	Chk. by	Mfg. Appd.	Engr. Appd.
7/20/68				
CODE IDENT.-00795		1247-000-A65F		

FILE NAME: 1247000A65F-0001 PLT # 4/1				
TOLERANCES: UNLESS OTHERWISE SPECIFIED: DECIMALS = ±.005, FRACTIONS = ±1/84, ANGLES = ±1/2 REMOVE ALL BURRS AND SHARP EDGES.				
THESE DRAWINGS AND SPECIFICATIONS ARE THE PROPERTY OF DELTA ELECTRONICS MFG. CORP. AND SHALL NOT BE REPRODUCED, OR COPIED, OR USED AS THE BASIS FOR THE MANUFACTURE OR SALE OF APPARATUS OR DEVICES WITHOUT THEIR EXPRESS WRITTEN CONSENT.				
ALT.	REVISIONS	DATE	APP	APP