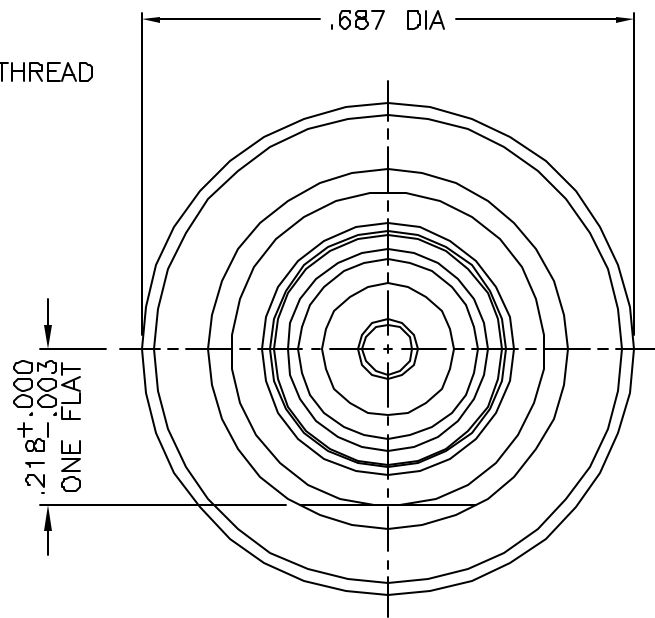
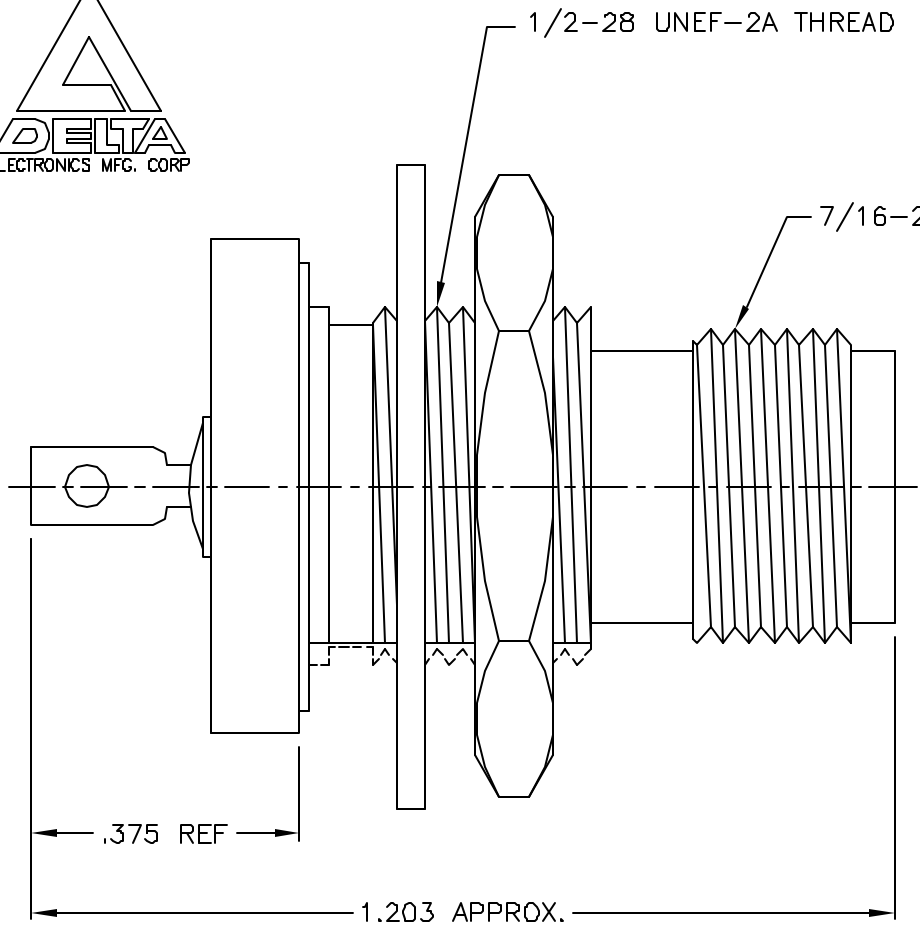




1221-000-N598



VIEW SHOWN WITH HEX NUT AND LOCKWASHER REMOVED

NOTES:

- ASSEMBLED CONNECTOR INTERFACE IS DESIGNED IN ACCORDANCE WITH MIL-STD-348.
- MATERIAL: CONTACT - BERYLLIUM COPPER PER ASTM B196.
INSULATOR - TEFLON PER ASTM D1710
LOCKWASHER - SPRING STEEL
ALL OTHER METAL PARTS - BRASS PER ASTM B16
- FINISHES: CONTACT - GOLD PLATE PER MIL-G-45204
BUSHING - SILVER PLATE PER QQ-S-365
GLASS SEAL - TIN PLATE PER MIL-P-81728
BODY, HEX NUT & LOCKWASHER - NICKEL PLATE PER QQ-N-29D

UNLESS OTHERWISE SPECIFIED: TOLERANCES: 3 PLACES = ±.008, 2 PLACES = ±.02, ANGLES = ±1/2°, SURFACE FINISH = 63

-	OUTLINE	12/12/06
ALT.	REVISIONS	DATE

DELTA ELECTRONICS MFG. CORP. Beverly, MA 01915

TITLE: 'TNC' BULKHEAD MOUNTED JACK
HERMETICALLY SEALED RECEPTACLE

Drawn by DG	Scale 4/1	Ckd. by MR	Engr Appd MR	FILE NAME: 1221000N598-0001
----------------	--------------	---------------	-----------------	--------------------------------

CODE IDENT.-00795 1221-000-N598

THESE DRAWINGS AND SPECIFICATIONS ARE THE PROPERTY OF DELTA ELECTRONICS MFG CORP. AND SHALL NOT BE REPRODUCED, OR COPIED OR USED AS THE BASIS FOR THE MANUFACTURE OR SALE OF APPARATUS OR DEVICES WITHOUT THEIR EXPRESS WRITTEN CONSENT.