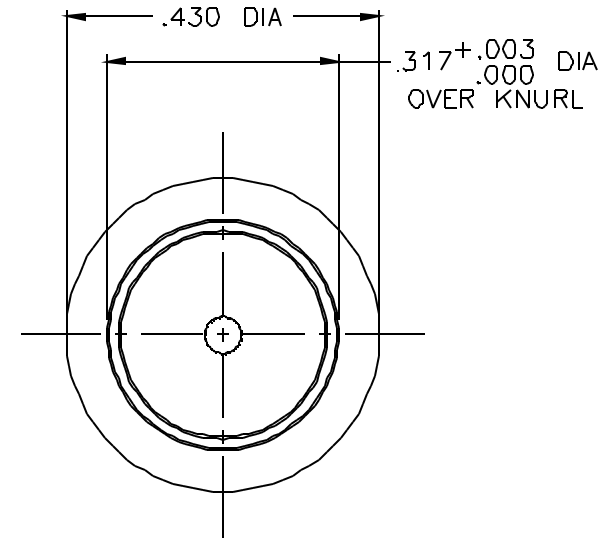
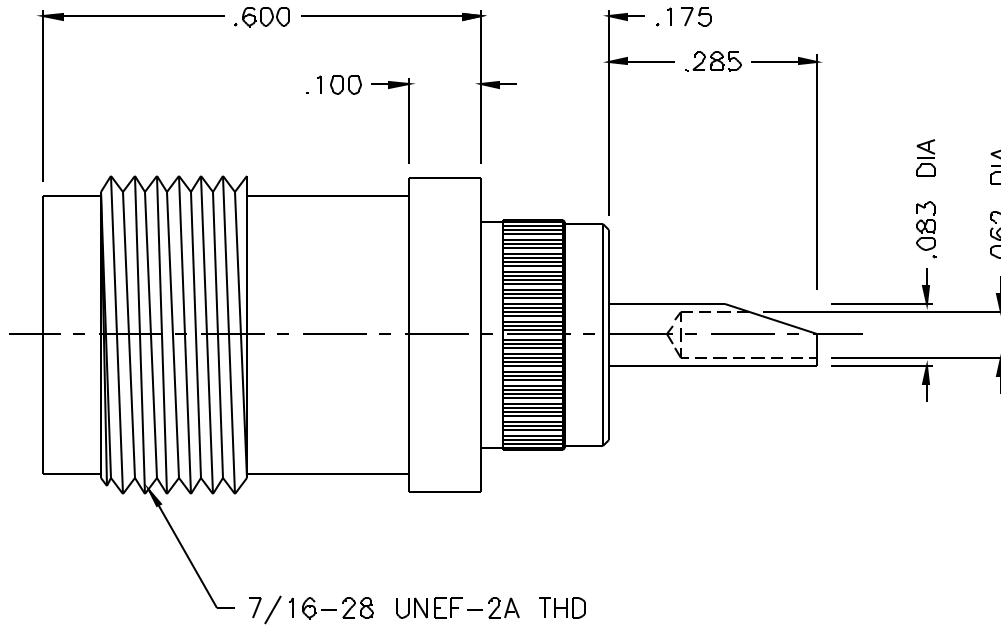


1220-000-N911-3



NOTES:

1. ASSEMBLED CONNECTOR INTERFACE IS DESIGNED IN ACCORDANCE WITH MIL-STD-348.
2. MATERIAL: BODY- BRASS PER ASTM B16
CONTACT- BERYLLIUM COPPER PER ASTM B196.
INSULATOR- TEFLON PER ASTM D1710
3. FINISHES: BODY- NICKEL PLATE PER QQ-N-290
CONTACT- GOLD PLATE PER MIL-G-45204

THESE DRAWINGS AND SPECIFICATIONS ARE THE PROPERTY OF DELTA ELECTRONICS MFG. CORP. AND SHALL NOT BE REPRODUCED, OR COPIED, OR USED AS THE BASIS FOR THE MANUFACTURE OR SALE OF APPARATUS OR DEVICES WITHOUT THEIR EXPRESS WRITTEN CONSENT.

TOLERANCES
UNLESS OTHERWISE
SPECIFIED:
3 PLACES = ±.005
2 PLACES = ±.01
ANGLES = ±1/2°

-	OUTLINE	9/26/95
ALT.	REVISIONS	DATE
DELTA ELECTRONICS MFG. CORP. Beverly, MA 01915		
TITLE: 'TNC' (F) PRESS MOUNT RECEPTACLE SOLDER POT CONTACT		
Drawn by dgb 9/26/95	Scale 4/1	FILE NAME: 1220000N911-003T
CODE IDENT.-00795		1220-000-N911-3