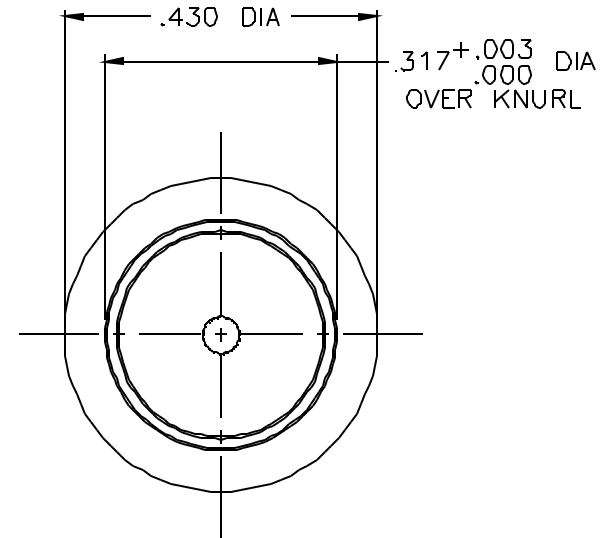
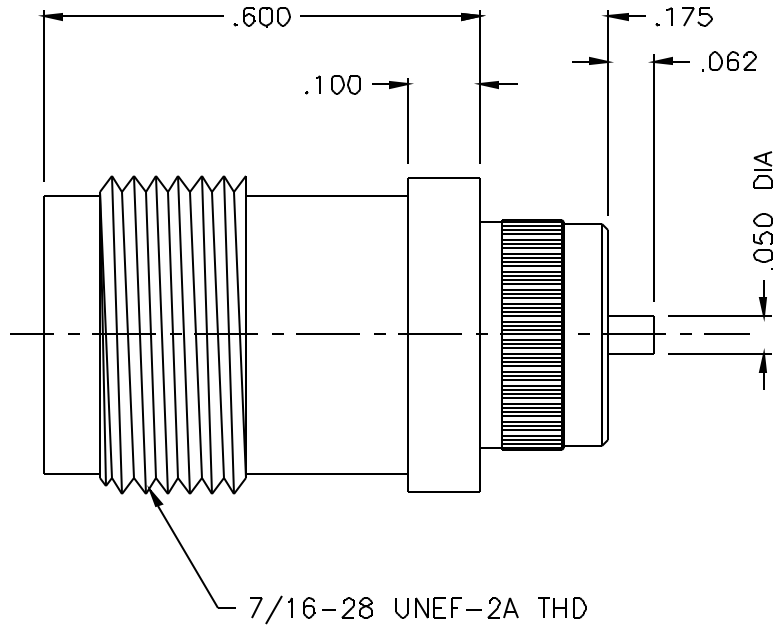


1220-000-N911-2



NOTES:

1. ASSEMBLED CONNECTOR INTERFACE IS DESIGNED IN ACCORDANCE WITH MIL-STD-348.
2. MATERIAL: BODY- BRASS PER ASTM B16
CONTACT- BERYLLIUM COPPER PER ASTM B196.
INSULATOR- TEFLON PER ASTM D1710
3. FINISHES: BODY- NICKEL PLATE PER QQ-N-290
CONTACT- GOLD PLATE PER MIL-G-45204

UNLESS OTHERWISE SPECIFIED:
TOLERANCES: 3 PLACES = ±.005
2 PLACES = ±.01
ANGLES = ±1/2°

DELTA ELECTRONICS MFG. CORP. Beverly, MA 01915				
TITLE: 'TNC' (F) PRESS MOUNT RECEPTACLE POST CONTACT				
Drawn by dgb 7/25/95	Scale 4/1	Clkd. by	FILE NAME: 1220000N911-002T	REVISION:
CODE IDENT.-00795			1220-000-N911-2	