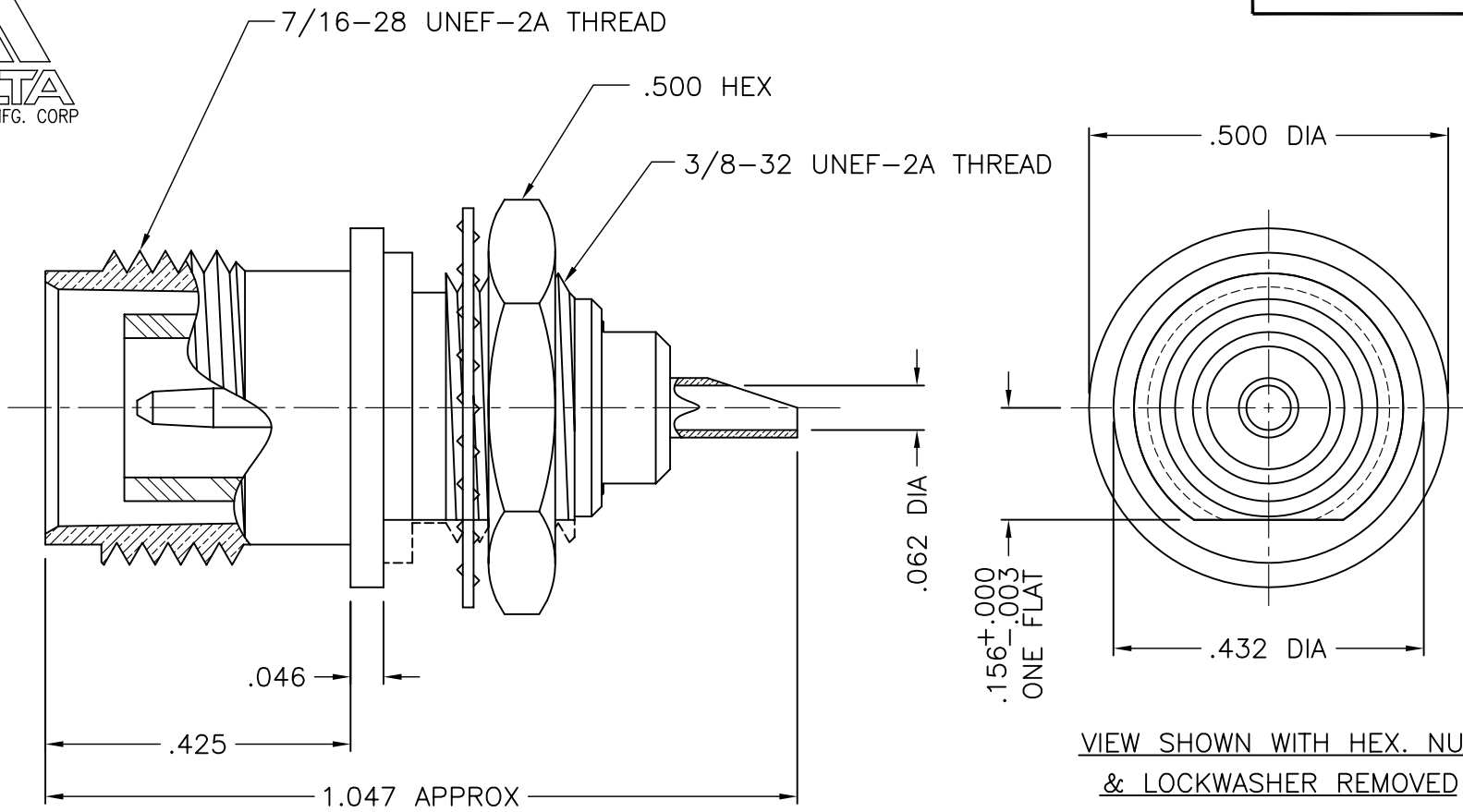




1220-000-N652-1



**NOTES:**

1. MATERIAL: BODY & HEX NUT- BRASS PER ASTM B16  
 LOCKWASHER - SPRING STEEL  
 CONTACT - BRASS PER ASTM B16.  
 INSULATOR - TEFLON PER ASTM D1710
2. FINISHES: BODY, HEX NUT & LOCKWASHER - NICKEL PLATE PER QQ-N-290  
 CONTACT - GOLD PLATE PER MIL-G-45204

UNLESS OTHERWISE SPECIFIED: TOLERANCES: 3 PLACES = ±.005, 2 PLACES = ±.02, ANGLES = ±1/2', SURFACE FINISH = 63	-	OUTLINE	8/30/05
	ALT.	REVISIONS	DATE

DELTA ELECTRONICS MFG. CORP. Beverly, MA 01915				
TITLE: 'TNC' POLARIZED BULKHEAD JACK RECEPTACLE				
Drawn by BJM 8/30/05	Scale 4/1	Ckd. by MR	Engr Appd MR	FILE NAME: 1220000N652-001T

THESE DRAWINGS AND SPECIFICATIONS ARE THE PROPERTY OF DELTA ELECTRONICS MFG CORP. AND SHALL NOT BE REPRODUCED, OR COPIED OR USED AS THE BASIS FOR THE MANUFACTURE OR SALE OF APPARATUS OR DEVICES WITHOUT THEIR EXPRESS WRITTEN CONSENT.

CODE IDENT. -00795      1220-000-N652-1