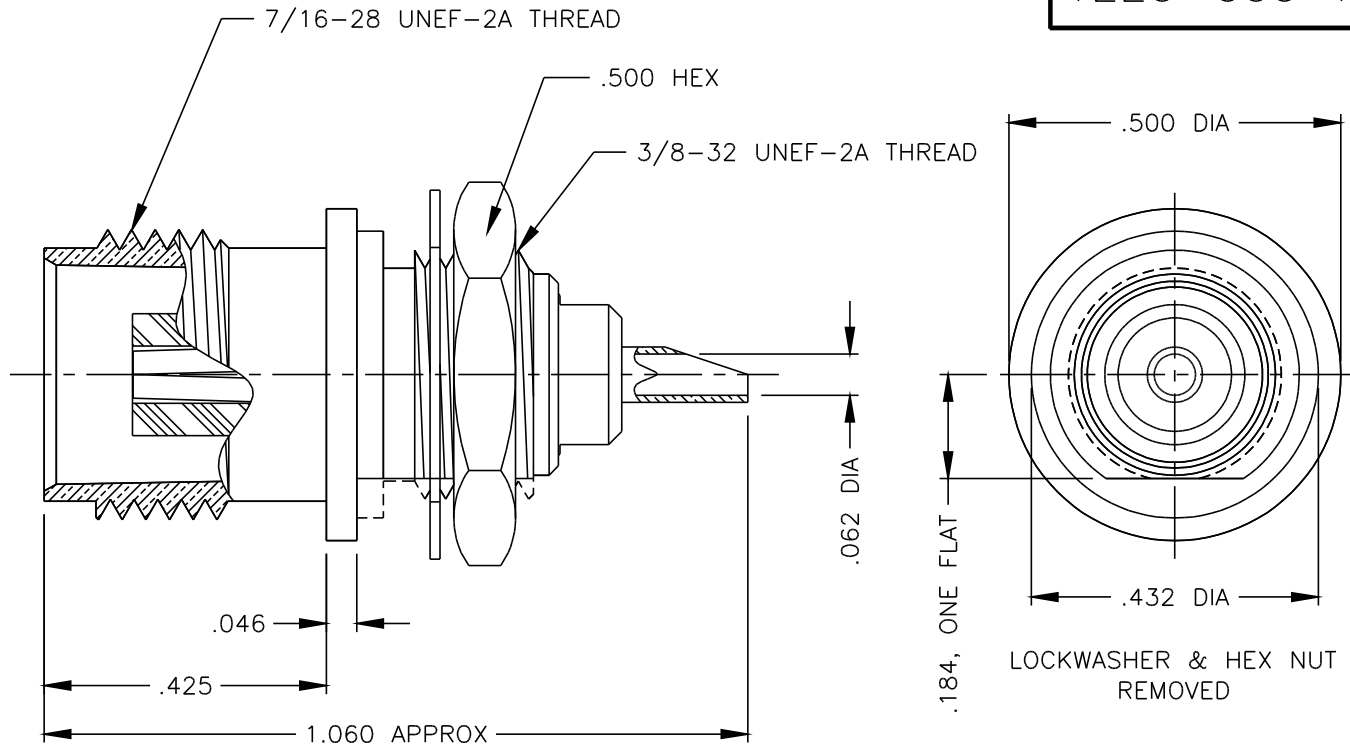




1220-000-N62E



NOTES:

1. ASSEMBLED CONNECTOR INTERFACE IS DESIGNED IN ACCORDANCE WITH MIL-STD-348.
2. MATERIAL: BODY & HEX NUT- BRASS PER ASTM B16
 LOCKWASHER - SPRING STEEL
 CONTACT - BERYLLIUM COPPER PER ASTM B196.
 INSULATOR - TEFLON PER ASTM D1710
3. FINISHES: BODY, HEX NUT & LOCKWASHER - NICKEL PLATE PER QQ-N-290
 CONTACT - GOLD PLATE PER MIL-G-45204

DELTA ELECTRONICS MFG. CORP. Beverly, MA 01915				
TITLE: 'TNC' BULKHEAD MOUNTED RECEPTACLE SOLDER POT, CAPTIVE CONTACT				
Drawn by nct	Scale 4/1	Ckd. by	Engr Appd	FILE NAME: 1220000N62E-000T
10-23-96				
CODE IDENT: -00795		1220-000-N62E		

UNLESS OTHERWISE SPECIFIED: TOLERANCES: 3 PLACES = ±.005, 2 PLACES = ±.02, ANGLES = ±1/2°

-	OUTLINE	10-23-96
ALT.	REVISIONS	DATE

THESE DRAWINGS AND SPECIFICATIONS ARE THE PROPERTY OF DELTA ELECTRONICS MFG CORP. AND SHALL NOT BE REPRODUCED, OR COPIED OR USED AS THE BASIS FOR THE MANUFACTURE OR SALE OF APPARATUS OR DEVICES WITHOUT THEIR EXPRESS WRITTEN CONSENT.