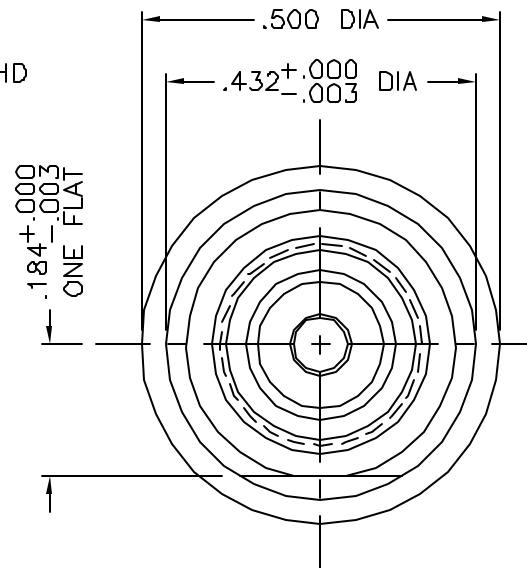
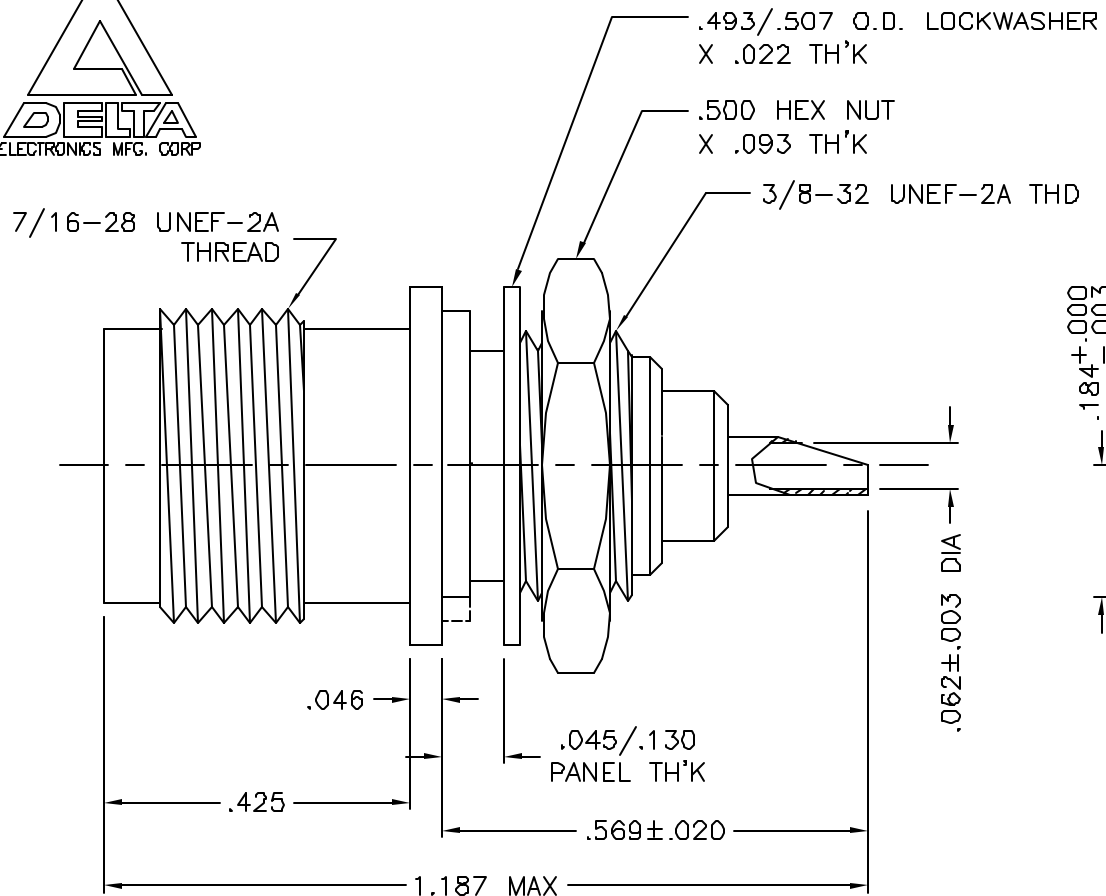


1220-000-A62E-3



VIEW SHOWN WITH HEX. NUT
& LOCKWASHER REMOVED

NOTES:

- ASSEMBLED CONNECTOR INTERFACE IS DESIGNED IN ACCORDANCE WITH MIL-STD-348.
- MATERIAL: BODY & HEX NUT- BRASS PER ASTM B16
LOCKWASHER - PHOSPHOR BRONZE PER QQ-B-750
CONTACT - BERYLLIUM COPPER PER ASTM B196
INSULATOR - TEFLON PER ASTM D1710
- FINISHES: CONTACT - GOLD PLATE PER MIL-G-45204
ALL OTHER METAL PARTS - SILVER PLATE PER QQ-S-365

M39012/31-0001

DELTA ELECTRONICS MFG. CORP. Beverly, MA 01915				
TITLE: 'TNC' BULKHEAD JACK RECEPTACLE CAPTIVE SOLDER POT CONTACT				
Drawn by MR	Scale 4/1	Ckd. by BJM	Engr Appd MR	FILE NAME: 1220000A62E-003T
10/6/05				

UNLESS OTHERWISE SPECIFIED: TOLERANCES: 3 PLACES = ±.008, 2 PLACES = ±.02, ANGLES = ±1/2', SURFACE FINISH = 63

-	OUTLINE	10/8/05
ALT.	REVISIONS	DATE

THESE DRAWINGS AND SPECIFICATIONS ARE THE PROPERTY OF DELTA ELECTRONICS MFG CORP. AND SHALL NOT BE REPRODUCED, OR COPIED OR USED AS THE BASIS FOR THE MANUFACTURE OR SALE OF APPARATUS OR DEVICES WITHOUT THEIR EXPRESS WRITTEN CONSENT.

CODE IDENT.-00795

1220-000-A62E-3