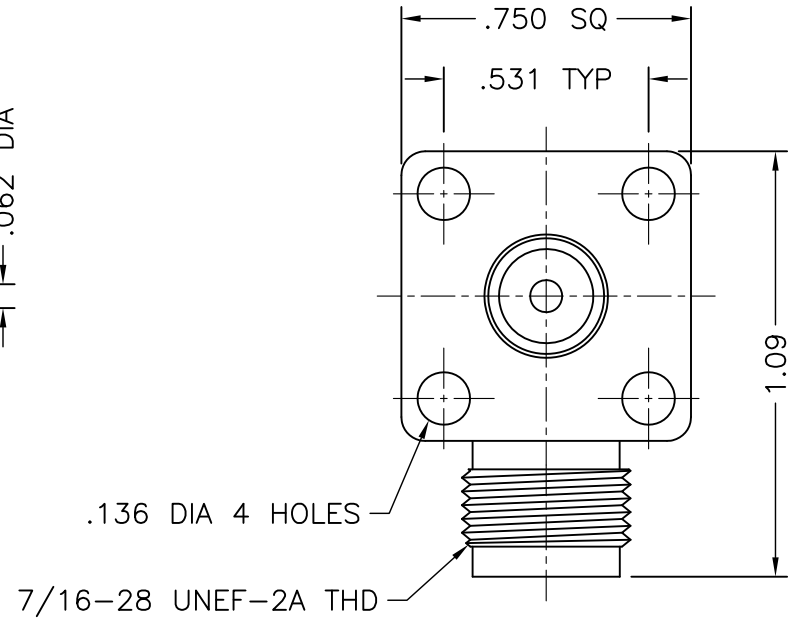
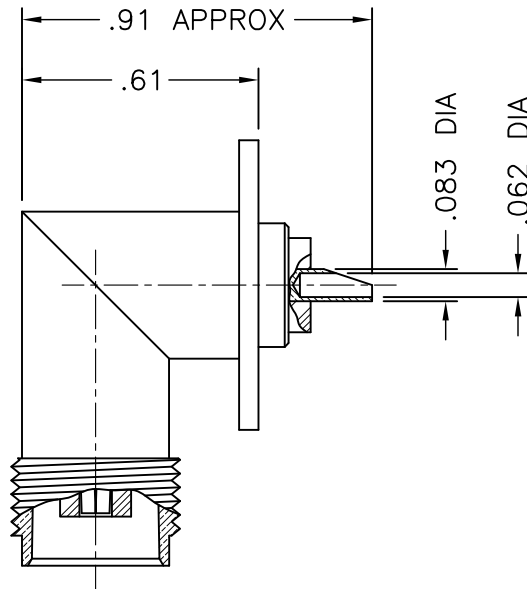




1215-000-N180



NOTES:

1. ASSEMBLED CONNECTOR INTERFACE IS DESIGNED IN ACCORDANCE WITH MIL-STD-348.
2. MATERIAL: BODY- BRASS PER ASTM B16
CONTACT- BERYLLIUM COPPER PER ASTM B196.
INSULATOR- TEFLON PER ASTM D1710
3. FINISHES: BODY - NICKEL PLATE PER QQ-N-290
CONTACT- GOLD PLATE PER MIL-G-45204

-	OUTLINE	10/30/95
ALT.	REVISIONS	DATE

DELTA ELECTRONICS MFG. CORP. Beverly, MA 01915

TITLE: 'TNC' (F) RIGHT ANGLE PANEL MOUNT
JACK- SOLDERPOT TERMINAL

Drawn by dgb 10/30/95	Scale 2/1	Ckd. by	FILE NAME: 1215000N180-000T
-----------------------------	--------------	---------	--------------------------------

**TOLERANCES
UNLESS OTHERWISE
SPECIFIED:**
3 PLACES = ±.005
2 PLACES = ±.01
ANGLES = ±1/2°

CODE IDENT.-00795 1215-000-N180