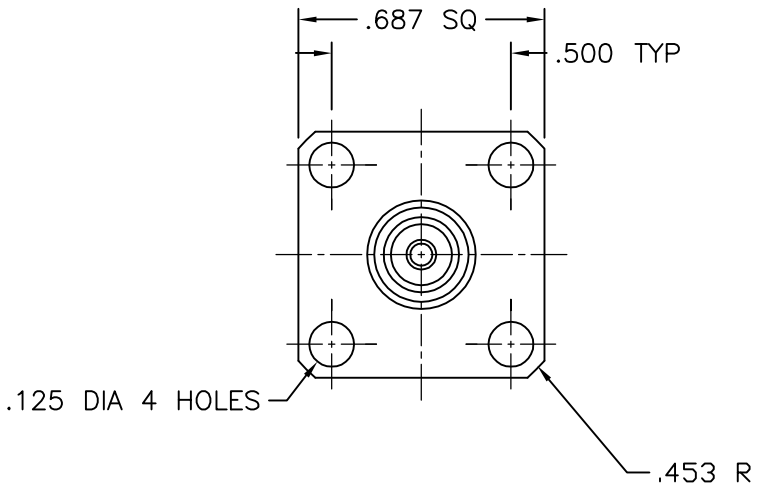
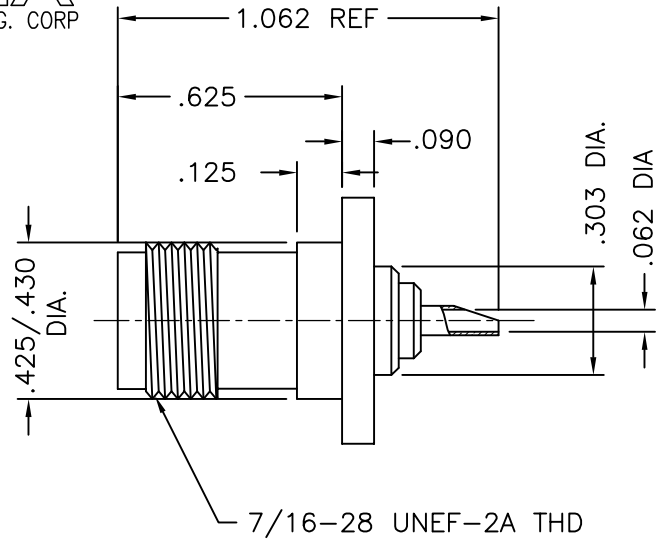




1213-000-N092



NOTES:

- ASSEMBLED CONNECTOR INTERFACE IS DESIGNED IN ACCORDANCE WITH MIL-STD-348. EXCEPT POLARIZED JACK (MALE PIN)
- MATERIAL: BODY- BRASS PER ASTM B16  
CONTACT- BERYLLIUM COPPER PER ASTM B196.  
INSULATOR- TEFLON PER ASTM D1710
- FINISHES: BODY- NICKEL PLATE PER QQ-N-290  
CONTACT- GOLD PLATE PER MIL-G-45204

-	OUTLINE	3/5/03
ALT.	REVISIONS	DATE

DELTA ELECTRONICS MFG. CORP. Beverly, MA 01915

TITLE: TNC POLARIZED PANEL MOUNT JACK RECEPTACLE - SOLDERPOT TERMINAL

Drawn by MR 3/5/03	Scale 2/1	Ckd. by	FILE NAME: 1213000N092-000T
--------------------------	--------------	---------	--------------------------------

TOLERANCES  
UNLESS OTHERWISE  
SPECIFIED:  
3 PLACES = ±.005  
2 PLACES = ±.01  
ANGLES = ±1/2°

CODE IDENT.-00795 1213-000-N092

THESE DRAWINGS AND SPECIFICATIONS ARE THE PROPERTY OF DELTA ELECTRONICS MFG. CORP. AND SHALL NOT BE REPRODUCED, OR COPIED, OR USED AS THE BASIS FOR THE MANUFACTURE OR SALE OF APPARATUS OR DEVICES WITHOUT THEIR EXPRESS WRITTEN CONSENT.